

BLACKROCK COMMUNITY CHURCH

3685 Black Rock Turnpike

Fairfield, CT 06825

2nd Floor Addition

Automatic Temperature Controls

Johnson Controls/Honeywell System

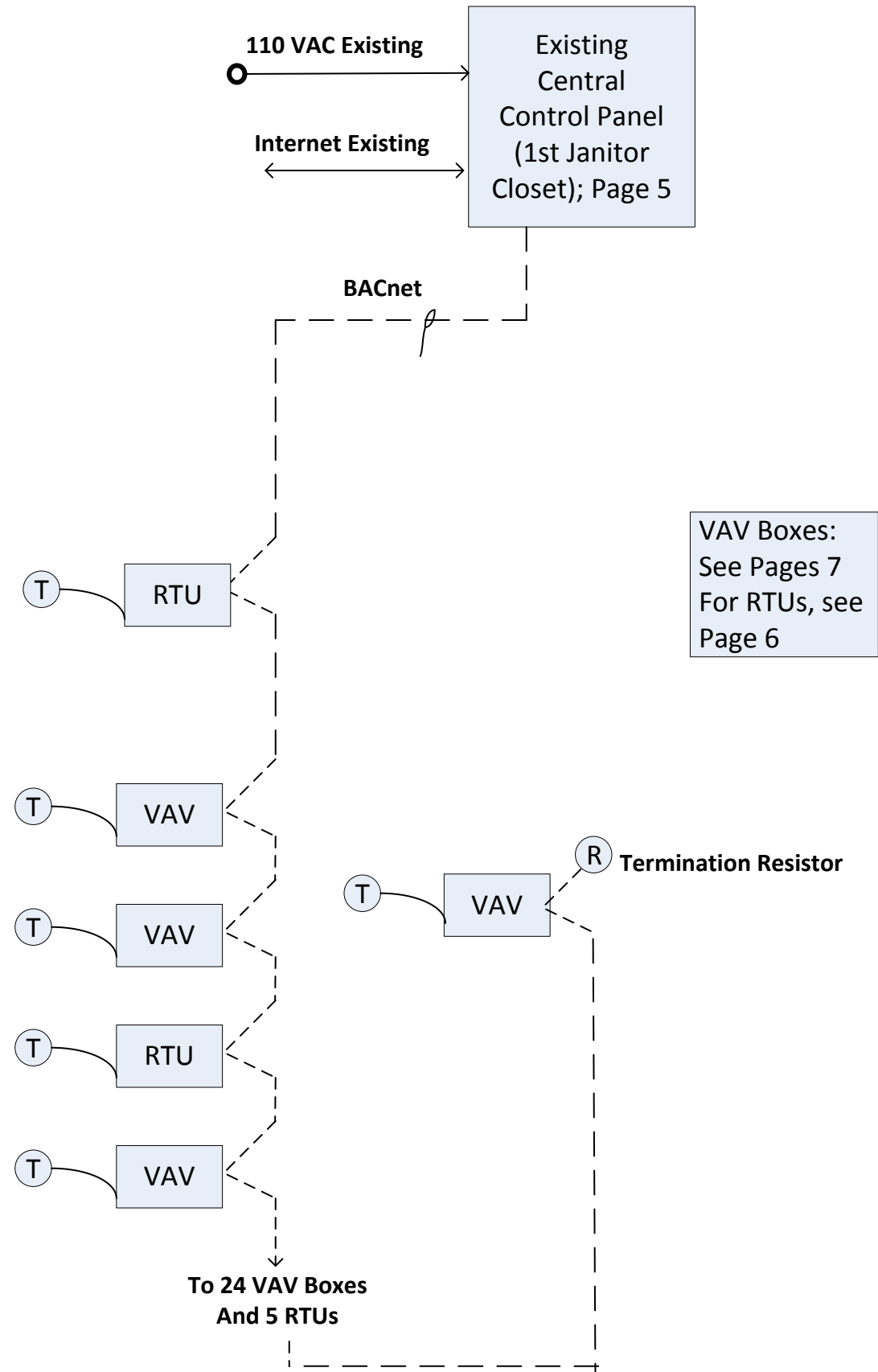
**For: Eastern Mechanical Services,
Danbury, CT**



Control Wizards
Control Wizards, Inc.

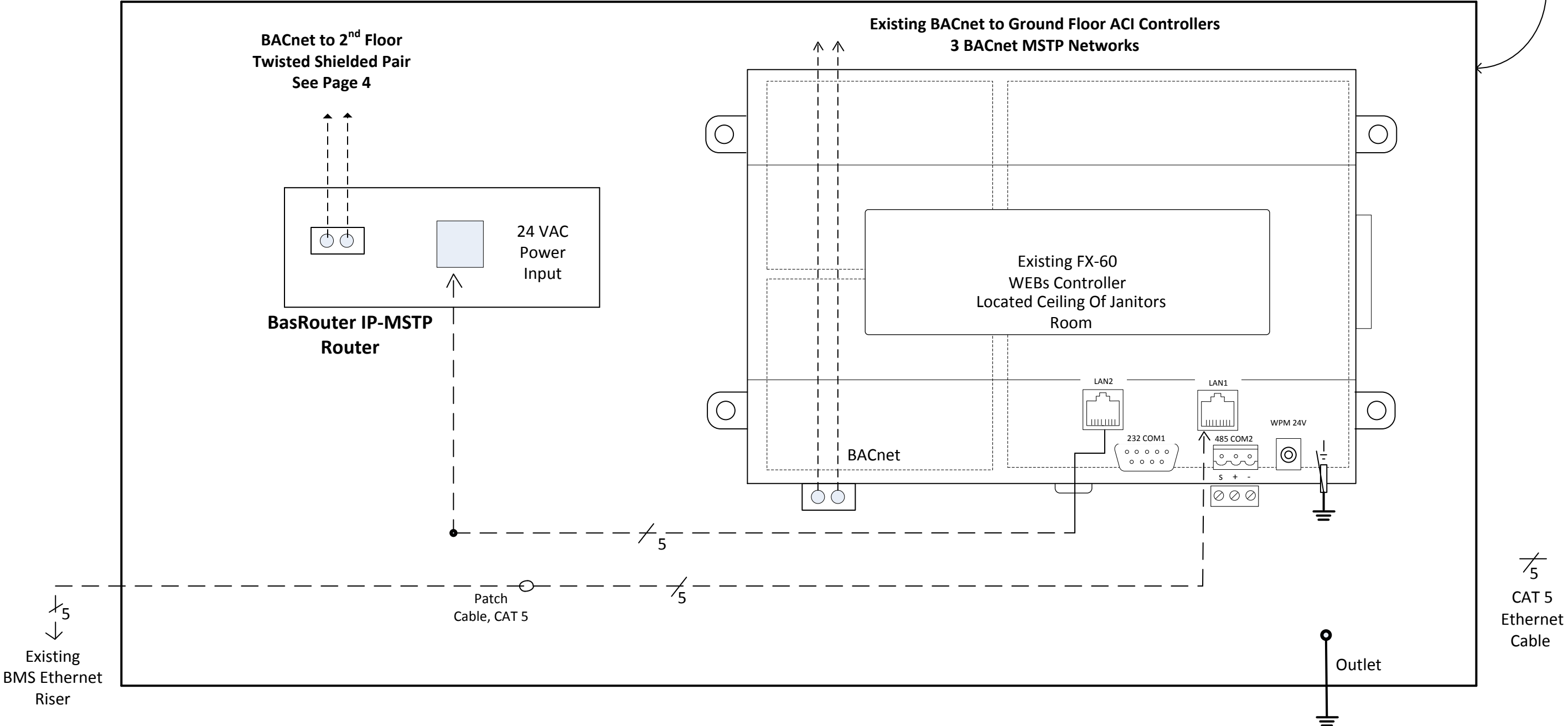
***89 Taylor Avenue
Norwalk, CT 06854
Phone: 203-274-5284***

REV.	DATE	DESCRIPTION
1	03/27/2019	SUBMITTAL DRAWING
2	12/31/2019	As-Built
PROJECT NAME: Blackrock Community Church, Fairfield CT: Temp Controls		
DESCRIPTION: COVER PAGE		
PROJ MGR: CB	PROJ ENG: CB	DRAWN BY: ZJ
DRAWING No: 1 OF 8		



REV.	DATE	DESCRIPTION
1	03/27/2019	SUBMITTAL DRAWING
2	12/31/2019	As-Built
PROJECT NAME: Blackrock Community Church, Fairfield CT: Temp Controls		
DESCRIPTION: BACNET NETWORK		
PROJ MGR: CB	PROJ ENG: CB	DRAWN BY: ZJ
		DRAWING No: 4 OF 8

Existing Control Cabinet 1st Level

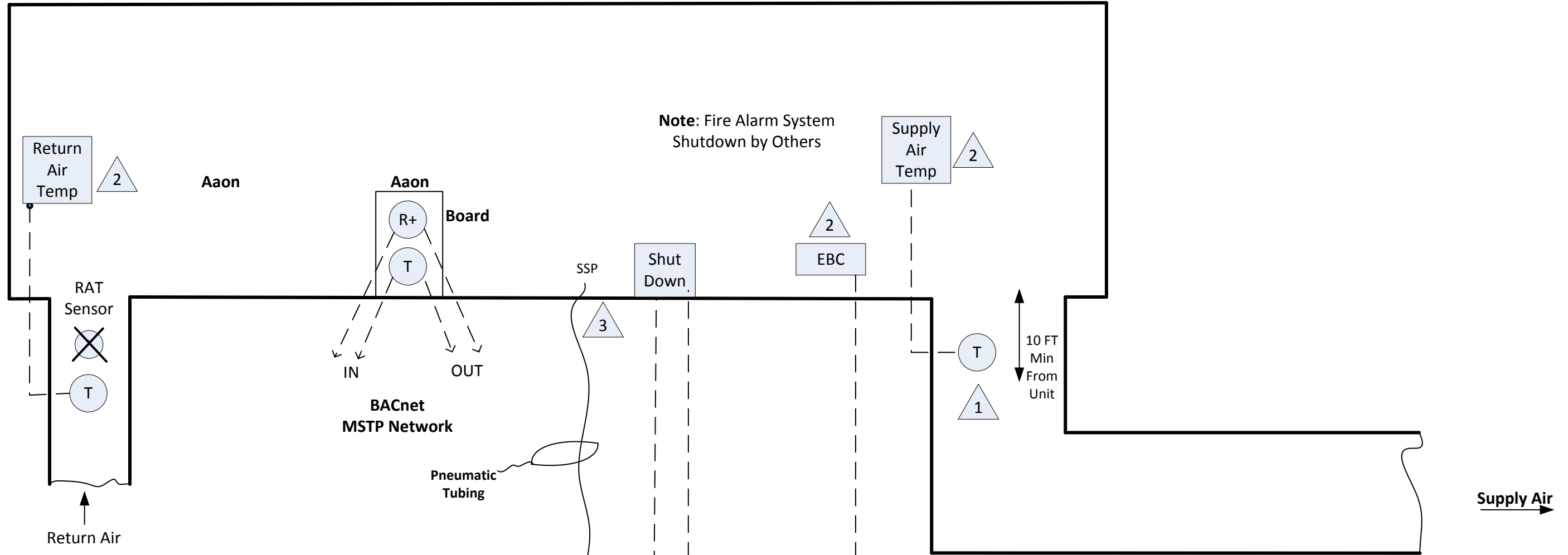


BMS Interface Control Panel
Johnson Controls JACE

H N

REV.	DATE	DESCRIPTION
1	03/27/2019	SUBMITTAL DRAWING
2	12/31/2019	As-Built
PROJECT NAME: Blackrock Community Church, Fairfield CT: Temp Controls		
DESCRIPTION: WEB-600 WITH SWITCH		
PROJ MGR: CB	PROJ ENG: CB	DRAWN BY: ZJ
DRAWING No: 5 OF 8		

AAON RTU – VAV WITH BACNET



Note: Fire Alarm System Shutdown by Others

2nd Auxiliary Switch at FSD Dampers (Supply and Return) (Relays installed: RIBUIC-RD)

TYPICAL OF AAON ROOF UNIT VAV WITH BACNET

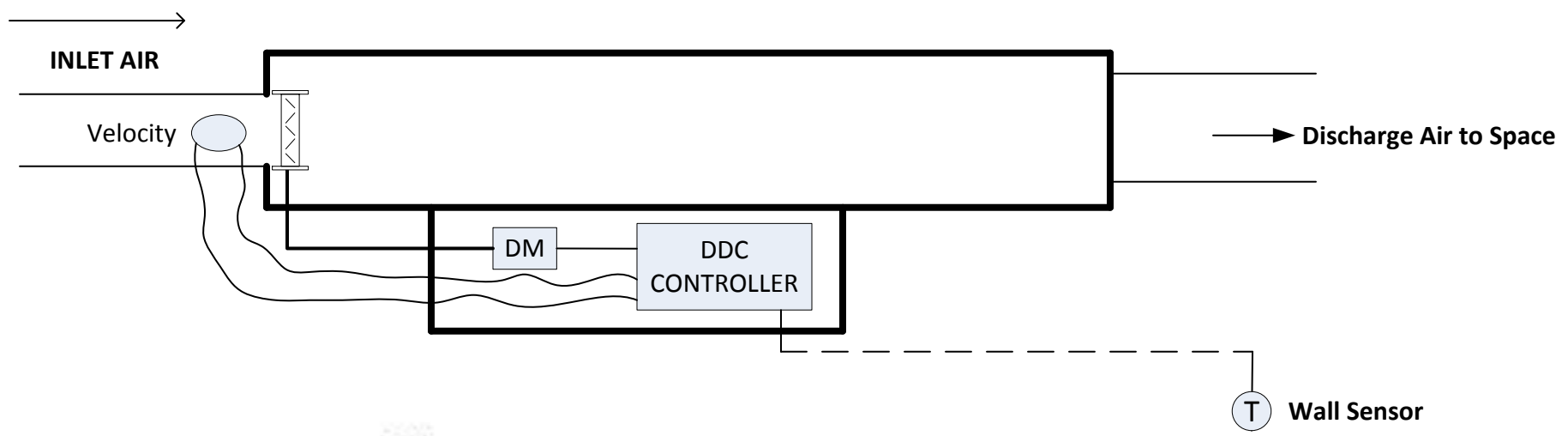
	Wire Per Manufacturers Transactions
	Runs as Twin Table
	Provided by Others
	Pneumatic Tube
	Typical of Aaon
	JB: Junction Box
	SSP: Duct Static BPT Building Pressure

REV.	DATE	DESCRIPTION
1	03/27/2019	SUBMITTAL DRAWING
2	12/31/2019	As-Built

PROJECT NAME:
Blackrock Community Church, Fairfield CT: Temp Controls

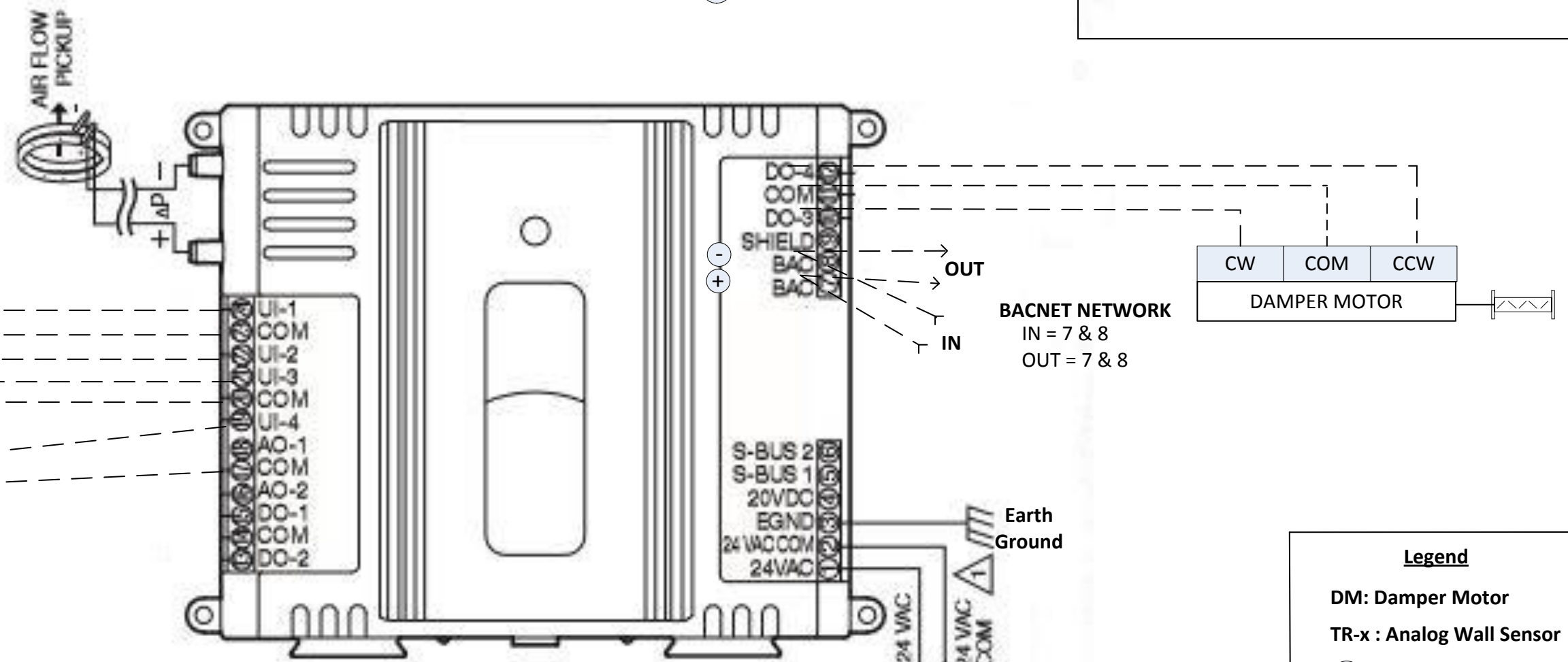
DESCRIPTION:
ROOFTOP UNIT

PROJ MGR:	PROJ ENG:	DRAWN BY:	DRAWING No:
CB	CB	ZJ	6 OF 8



APPLICATION NOTES : Blackrock
 _ BACNET NETWORK
 _ SEE SCHEDULE FOR ADDRESS / SETTINGS

CONFIGURATION:
 FAN : No
 REHEAT : NONE
 PERIMETER HEAT : NONE
 WALL SENSOR : TR-22



**CVB4024-NS/AS-VAV-1
 STRYKER VAV BOX CONTROLLER**

**NS Models: Field installed Damper Motor
 With ML6161B Damper Motor**

**AS Models: Factory Installed Damper Motor
 With internal Wiring to Damper Motor.**

**XFORMER install in
 VAV Box**

Typical of 24 VAV Boxes

Table 5. DIP Switch Values For MS/TP MAC Address.

DIP	7	6	5	4	3	2	1
VALUE	64	32	16	8	4	2	1

REV.	DATE	DESCRIPTION
1	03/27/2019	SUBMITTAL DRAWING
2	12/31/2019	As-Built
3	03/5/209	Add 2 nd Attic Sensor

PROJECT NAME: Blackrock Community Church, Fairfield CT: Temp Controls			
DESCRIPTION: VAV BOX			
PROJ MGR: CB	PROJ ENG: CB	DRAWN BY: ZJ	DRAWING No: 7 OF 8

Single Duct Terminal Unit Schedule

Black Rock Church

Tag	Room	Model	Size		CFM		Static Pressure			NC Levels		Unit Information
			Unit	Outlet	Max	Min	Inlet	Down	Min	Rad.	Disch.	
VAV-01	232 Kids	DESV	16	24x18	2500	1250	1	0.25	0.02	22	21	RH
VAV-02	233 Resource	DESV	08	12x10	505	253	1	0.25	0.01	20	20	RH
VAV-03	242 Green Rm	DESV	08	12x10	570	285	1	0.25	0.01	22	21	RH
VAV-04	224 Class Rm	DESV	09	14x12.5	660	330	1	0.25	0.03	18	18	RH
VAV-05	224 Class Rm	DESV	09	14x12.5	660	330	1	0.25	0.03	18	18	RH
VAV-06	226 Class Rm	DESV	14	20x17.5	1290	645	1	0.25	0.01	20	15	RH
VAV-07	201 Corr	DESV	07	12x10	405	203	1	0.25	0.06	20	17	RH
VAV-08	225 Class Rm	DESV	08	12x10	520	260	1	0.25	0.01	22	20	RH
VAV-09	239 Corr	DESV	05	12x8	100	50	1	0.25	0.01	-	11	RH
VAV-10	201 Corr	DESV	07	12x10	405	203	1	0.25	0.06	20	17	RH
VAV-11	222 Work Rm	DESV	05	12x8	200	100	1	0.25	0.02	18	19	RH
VAV-12	217 Office	DESV	05	12x8	130	65	1	0.25	0.01	11	14	RH
VAV-13	223 Conf	DESV	08	12x10	520	260	1	0.25	0.01	22	20	RH
VAV-14	224 Conf	DESV	09	14x12.5	640	320	1	0.25	0.03	18	18	RH
VAV-15	207 Open Office S	DESV	07	12x10	500	250	1	0.25	0.09	23	21	RH
VAV-16	207 Open Office S	DESV	10	14x12.5	810	405	1	0.25	0.01	24	19	RH
VAV-17	207 Open Office N	DESV	07	12x10	440	220	1	0.25	0.07	22	18	RH
VAV-18	208 Office	DESV	09	14x12.5	670	335	1	0.25	0.03	18	18	RH
VAV-19	202 Class Rm	DESV	08	12x10	560	280	1	0.25	0.01	22	21	RH
VAV-20	216 Office	DESV	05	12x8	200	100	1	0.25	0.02	18	19	RH
VAV-21	214 Office	DESV	05	12x8	300	150	1	0.25	0.04	25	20	RH
VAV-22	207 Open Office N	DESV	06	12x8	400	200	1	0.25	0.13	24	22	RH
VAV-23	207 Open Office N	DESV	06	12x8	400	200	1	0.25	0.13	24	22	RH
VAV-24	201 Corr	DESV	05	12x8	300	150	1	0.25	0.04	25	20	RH

6" DUCT INLET

REV.	DATE	DESCRIPTION
1	03/27/2019	SUBMITTAL DRAWING
2	12/31/2019	As-Built
PROJECT NAME:		
Blackrock Community Church, Fairfield CT: Temp Controls		
DESCRIPTION:		
VAV Box Schedule		
PROJ MGR:	PROJ ENG:	DRAWN BY:
CB	CB	ZJ
DRAWING No:		8 OF 8

WEBPro-AX

File Edit Search Bookmarks Tools Window Px Viewer Help

brcc-hq-fw01-cdvbrhnbmn.dynamic-m.com : 148.76.110.202 (BlackRockCongregationalChurch) Station (BlackRockCongregationalChurch) Files px RTU FloorPlan.px Wb Px View

BLACKROCK CONGREGATIONAL CHURCH

2nd Floor
Back
HOME
2nd Floor
Page Jumps
Help/Colors
SCHEDULES
Tech Info
ALARMS

VAV Report

RTU Report

	RTU 21	RTU 22	RTU 23	RTU 24	RTU 25
Aaon Space Temp					
Aaon Space Humidity					
Supply Air Temp					
Static Pressure					
Mode					

OAT: RTUs will only Heat:

OAT: RTUs will only Cool:

Attic Space Left Right

Attic Space

Alarm SetPt (+/- 2 F)

Alarm (15 Min Delay)

Attic Space (VAV 2-24)

Link to file: ^px/RTU/FloorPlan.px |

Blackrock Community Church, Fairfield CT: Drawing showing thermostat locations from VAV boxes and Aaon RTUs. Zoning layout for VAV Boxes. Control Wizards, 3-2-2020