

No.	Description	Date

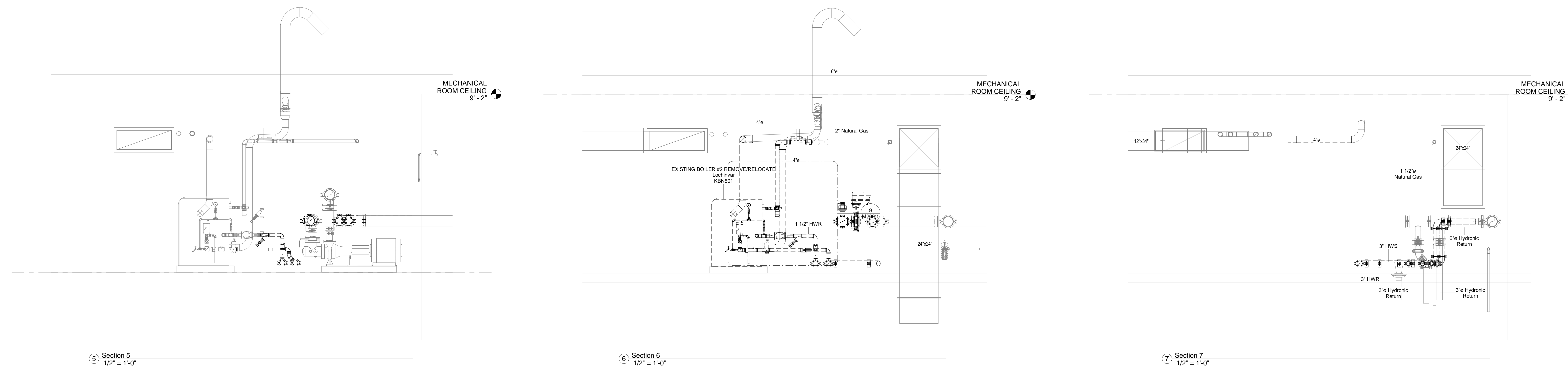
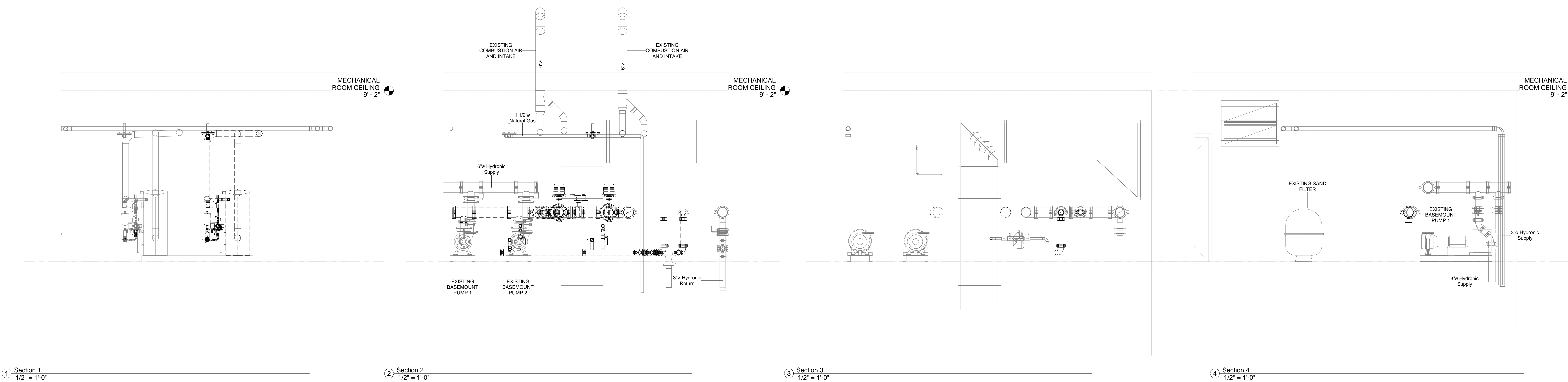
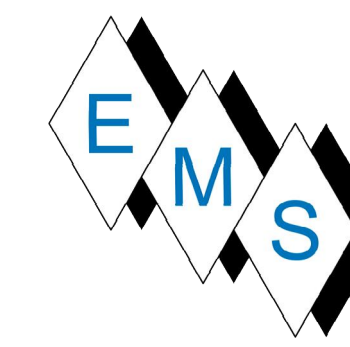
20 HORSENECK LANE LLC
 20 HORSENECK LANE HX PROJECT
 20 HORSENECK LANE GREENWICH, CT

EXISTING BOILER ROOM PLAN

1 EXISTING PENTHOUSE PLAN
 3/4" = 1'-0"

Project Number	4938
Date	9/10/19
Drawn By	T.H.
Checked By	T.H.

M100.0



No.	Description	Date

20 HORSENECK LANE LLC

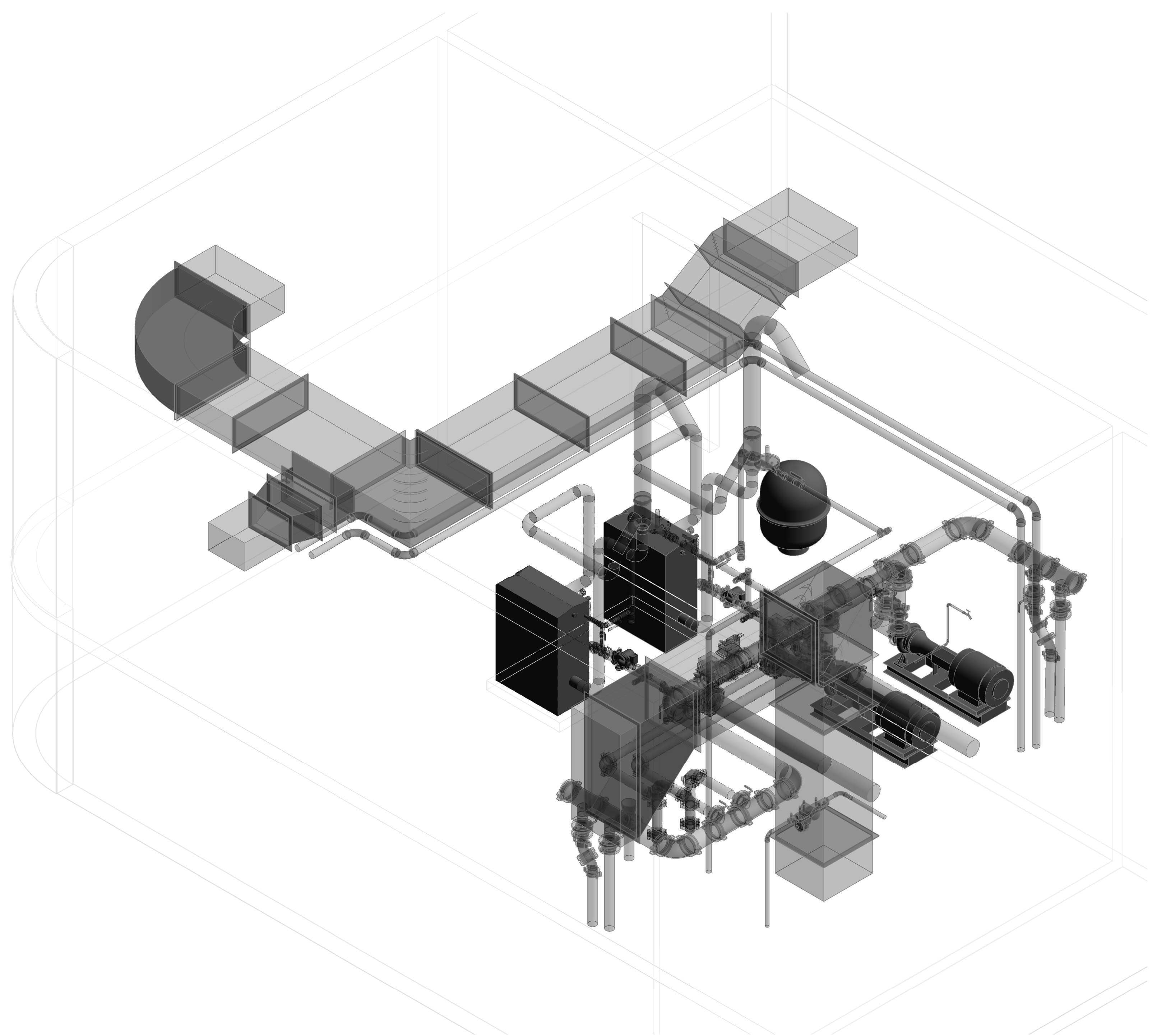
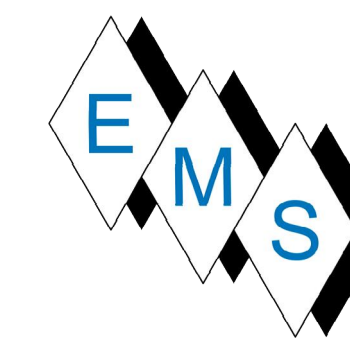
20 HORSENECK LANE HX PROJECT

20 HORSENECK LANE GREENWICH, CT

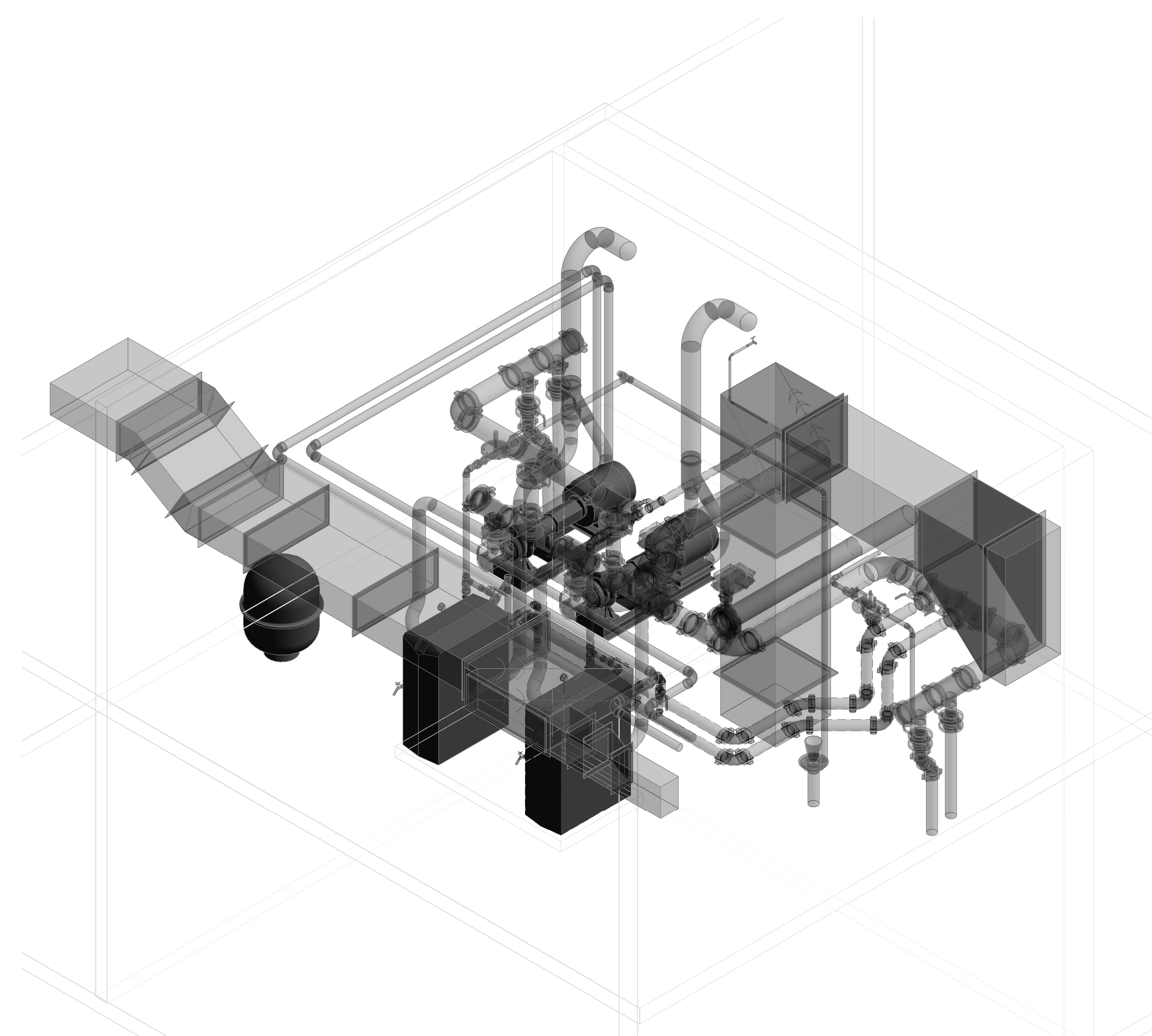
EXISTING BOILER ROOM AS-BUILT SECTIONS

Project Number	4938
Date	9/10/19
Drawn By	T.H.
Checked By	T.H.

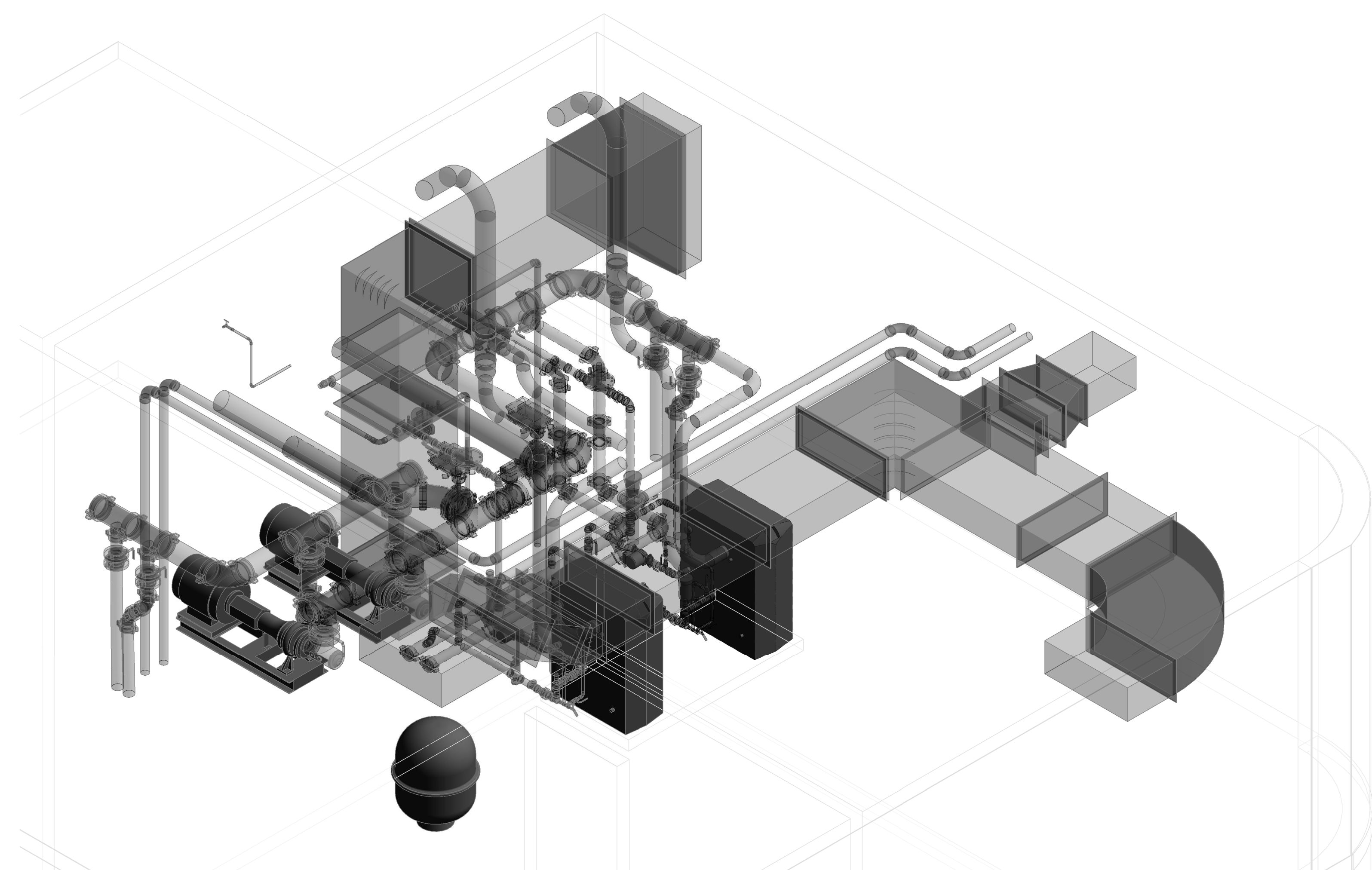
M100.1



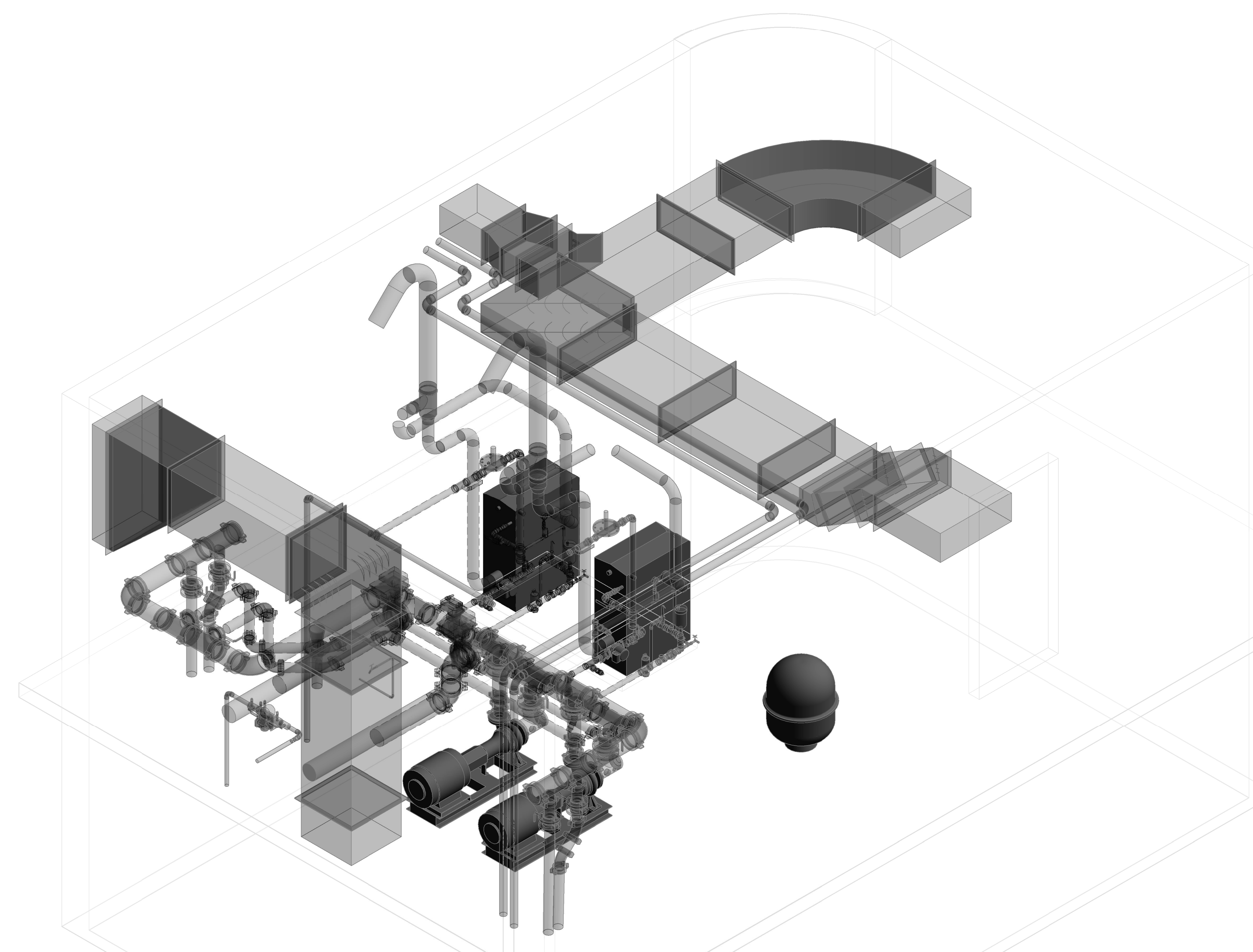
1 SE ISO VIEW



2 SW ISO VIEW



3 NW ISO VIEW



4 NE ISO VIEW

No.	Description	Date

20 HORSENECK LANE LLC

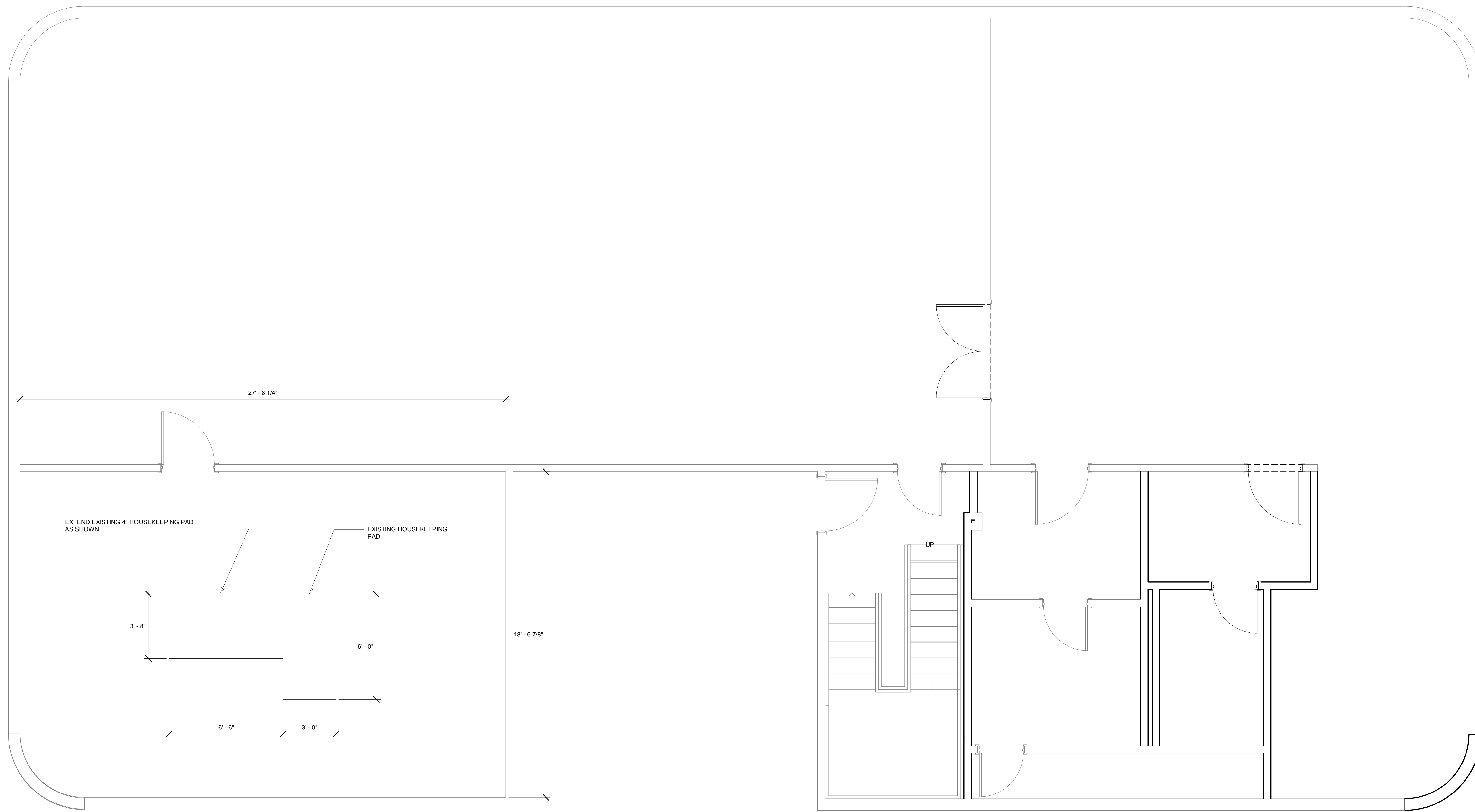
20 HORSENECK LANE HX
PROJECT

20 HORSENECK LANE
GREENWICH, CT

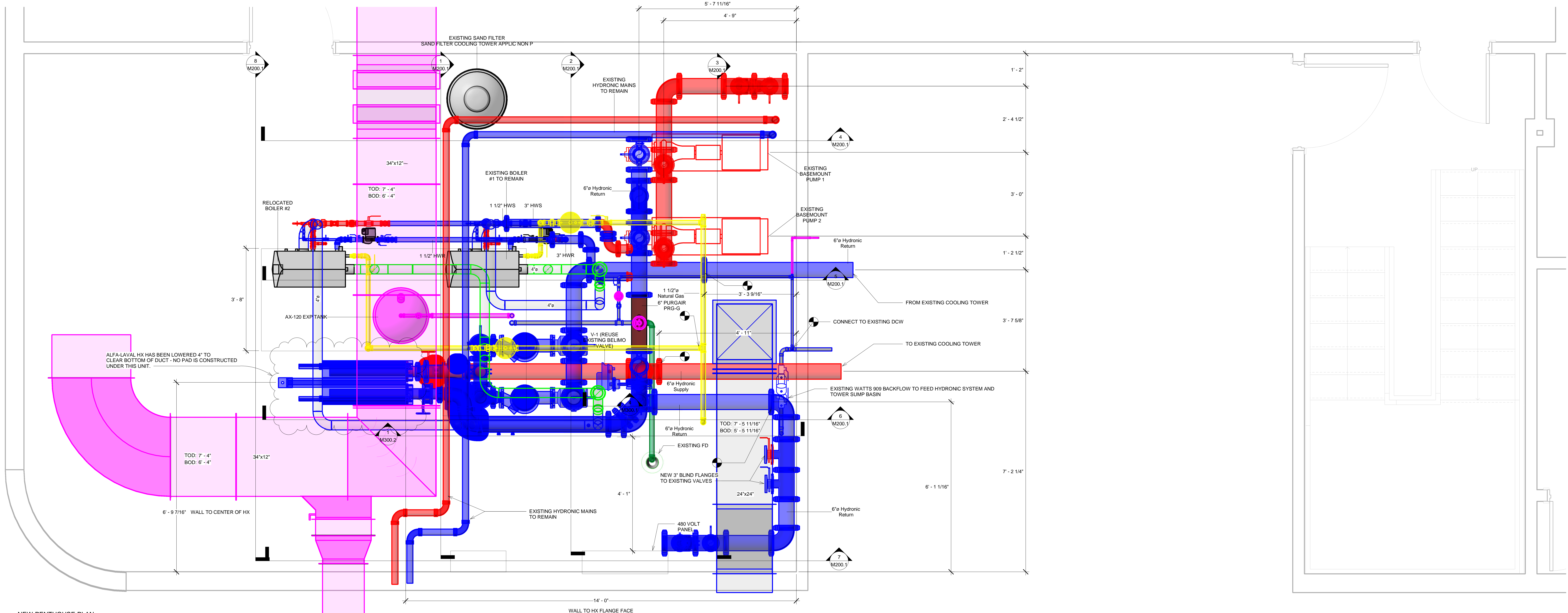
AS BUILT CONDITION ISO

Project Number	4938
Date	9/10/19
Drawn By	TH
Checked By	TH

M100.2



2 PENTHOUSE ARCHITECTURAL
 3/8" = 1'-0"



1 NEW PENTHOUSE PLAN
 3/4" = 1'-0"

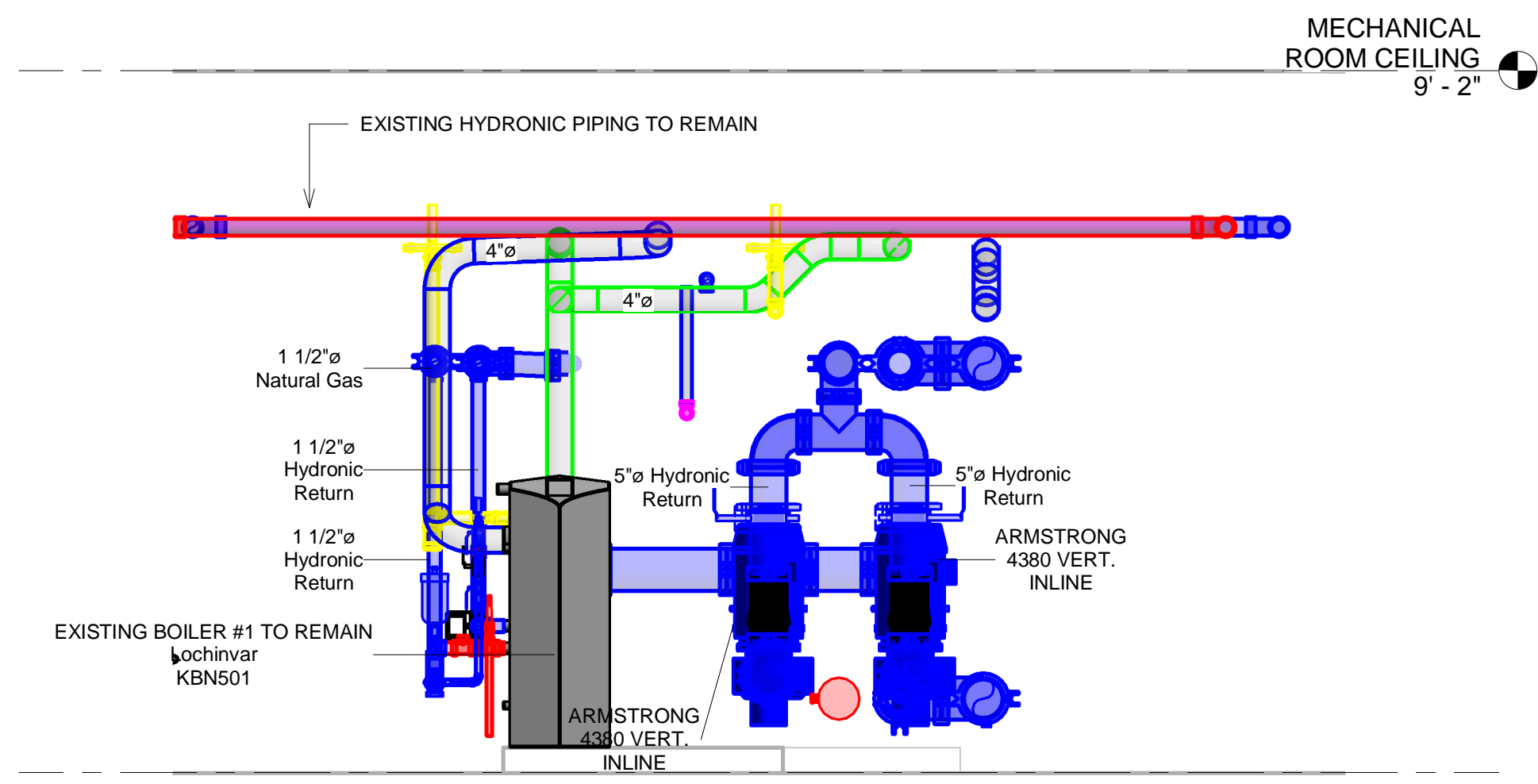
No.	Description	Date
1	Revision 1	Date 1

20 HORSENECK LANE LLC
 20 HORSENECK LANE HX PROJECT
 20 HORSENECK LANE GREENWICH, CT

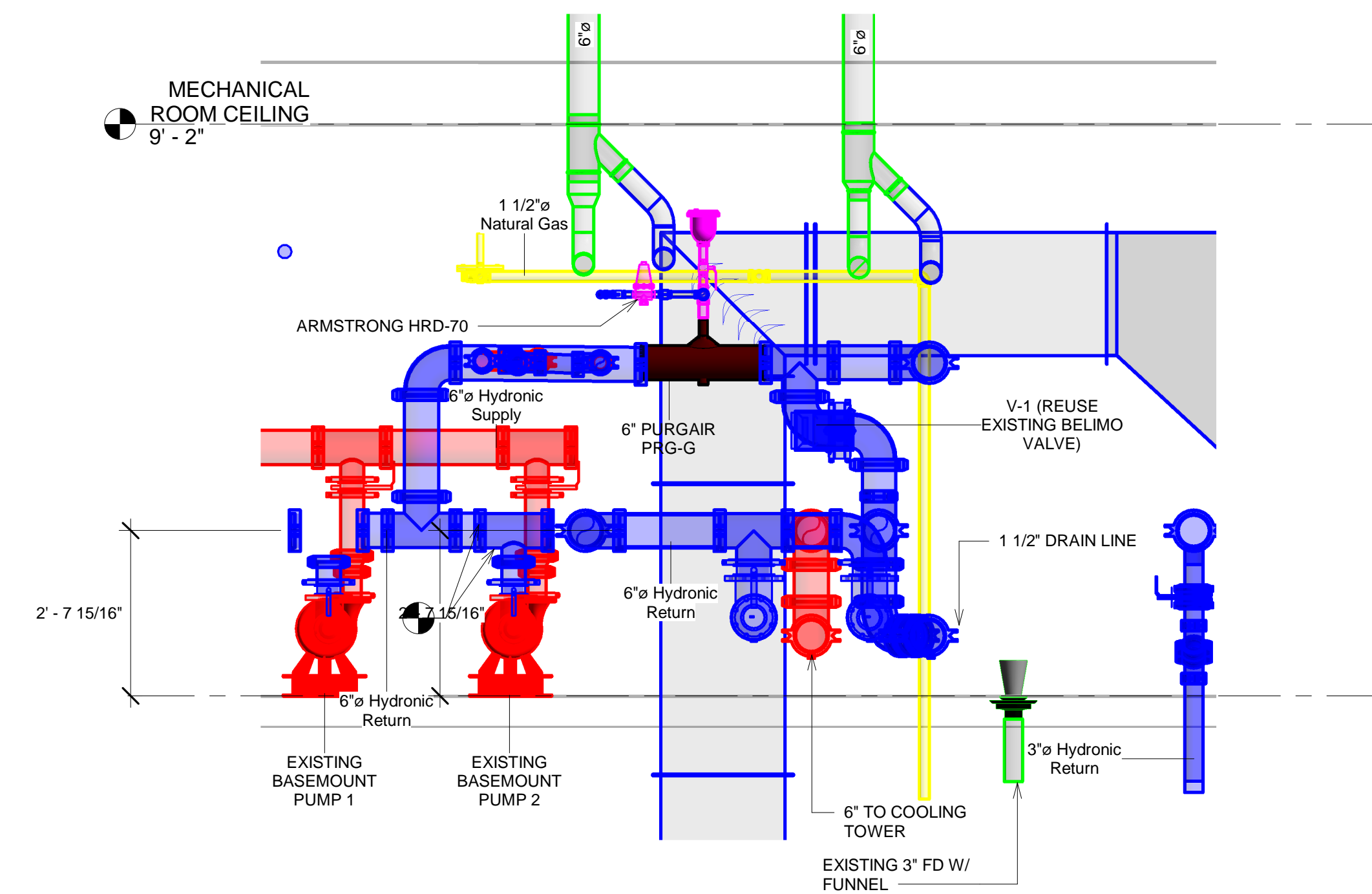
NEW BOILER ROOM PLAN

Project Number	4938
Date	9/10/19
Drawn By	T.H.
Checked By	T.H.

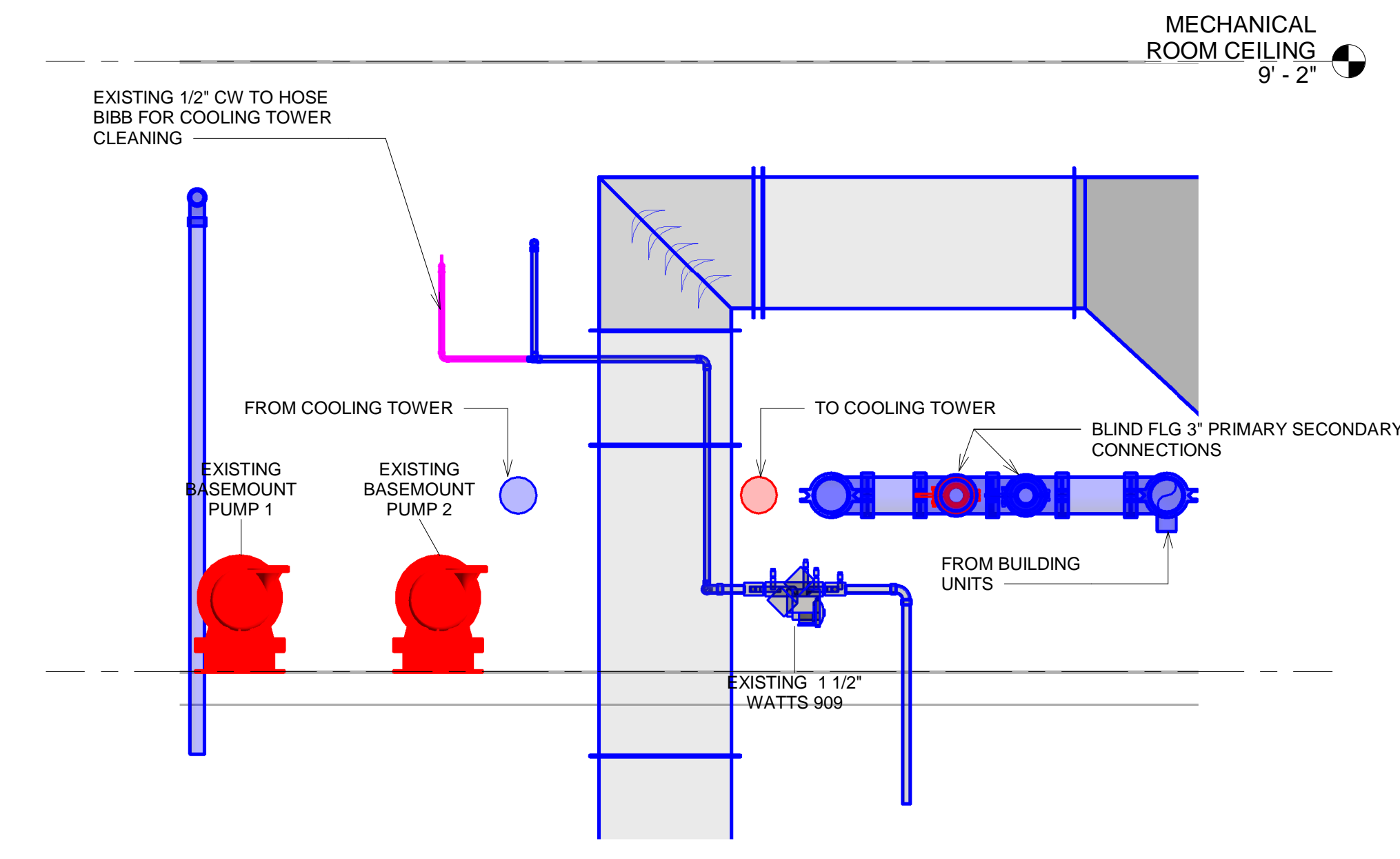
M200.0



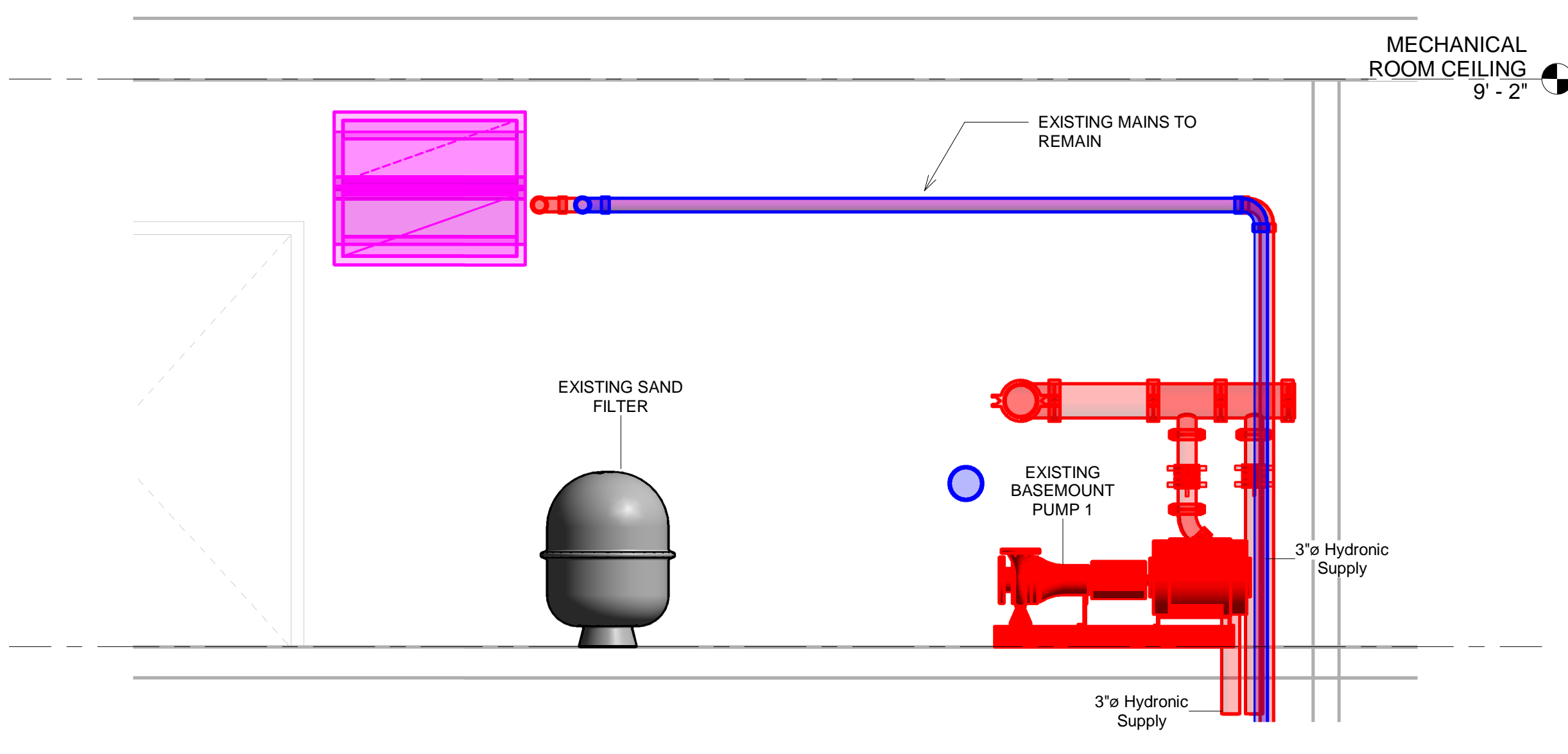
1 Section 1N
1/2" = 1'-0"



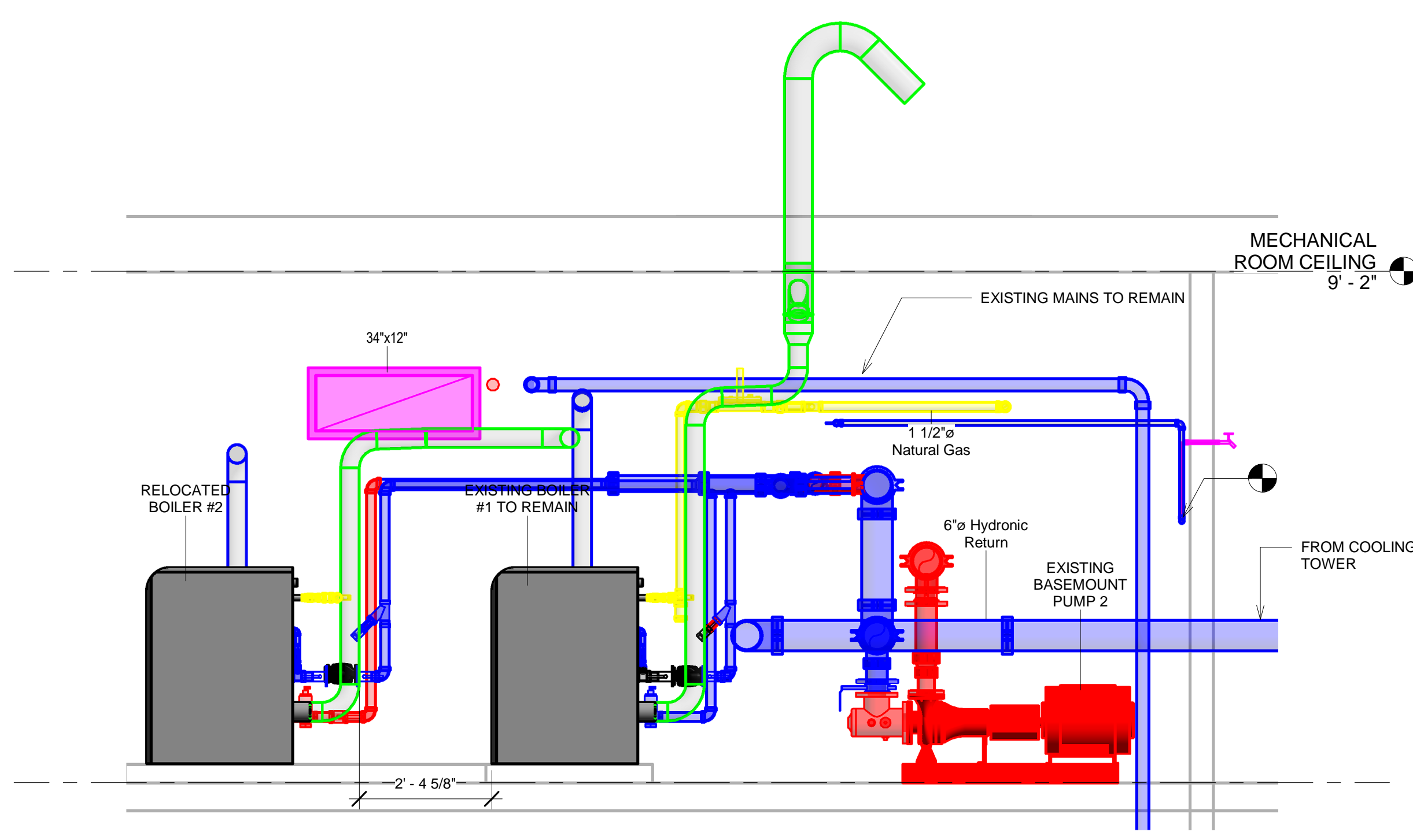
2 Section 2N
1/2" = 1'-0"



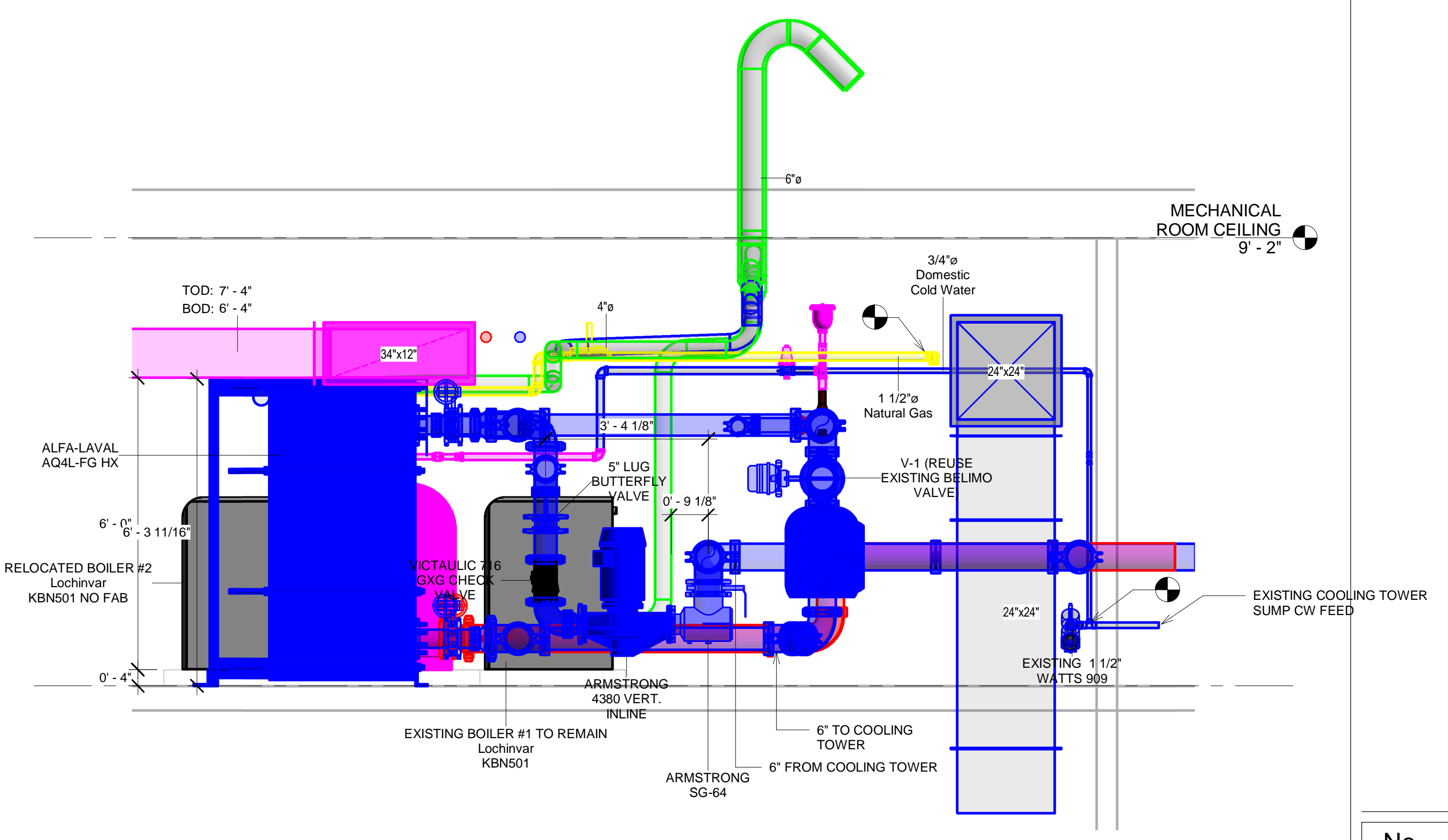
3 Section 3N
1/2" = 1'-0"



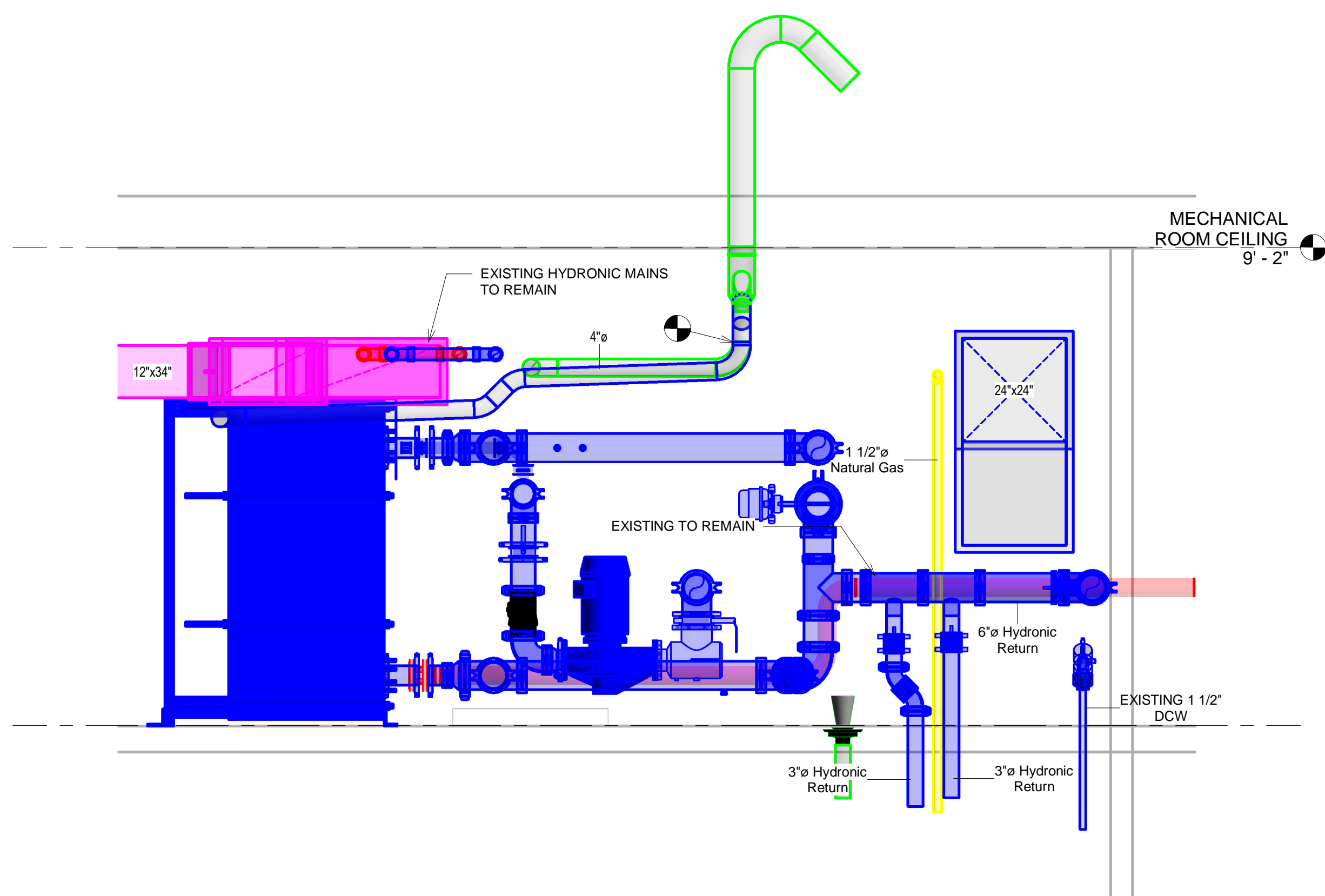
4 Section 4N
1/2" = 1'-0"



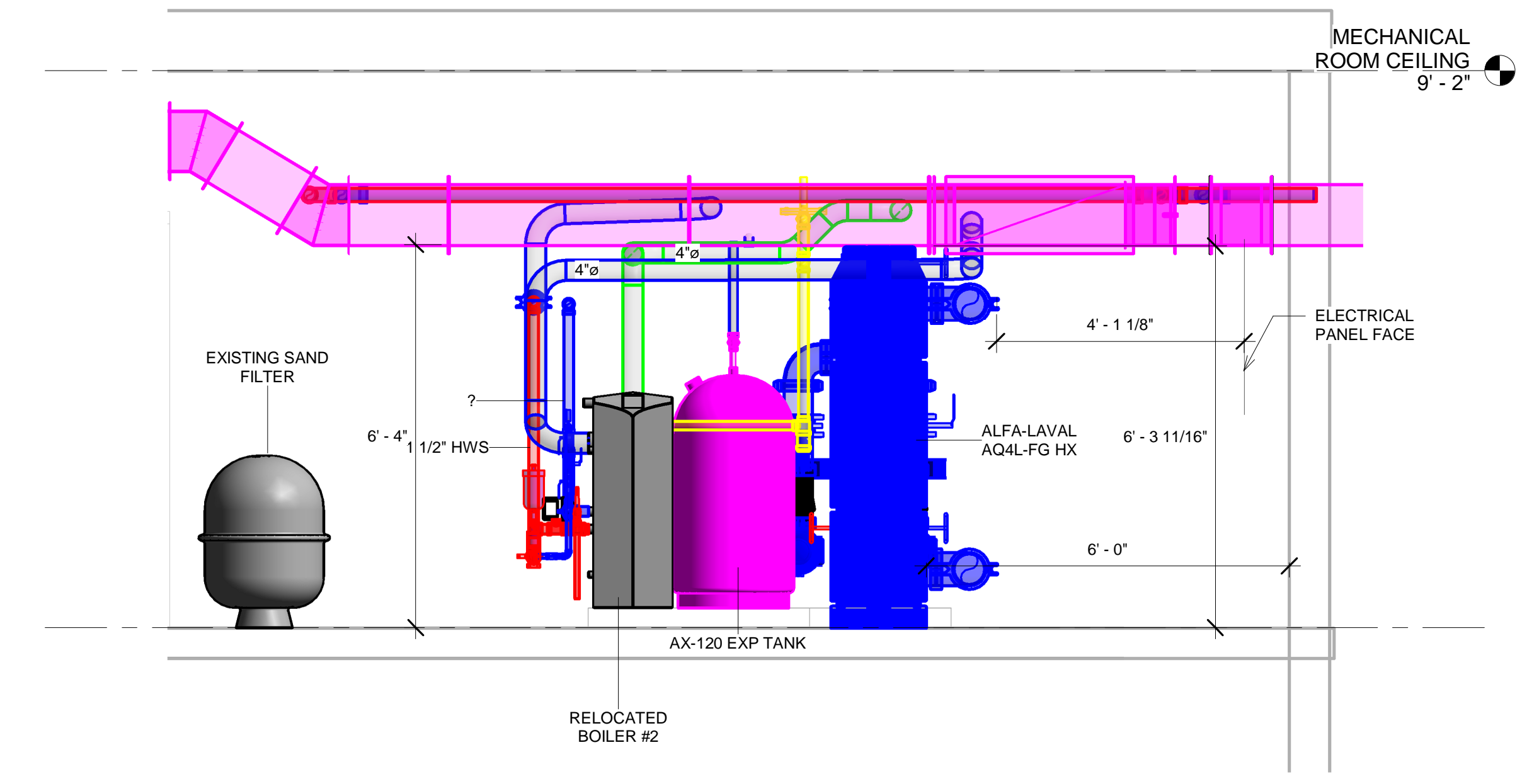
5 Section 5N
1/2" = 1'-0"



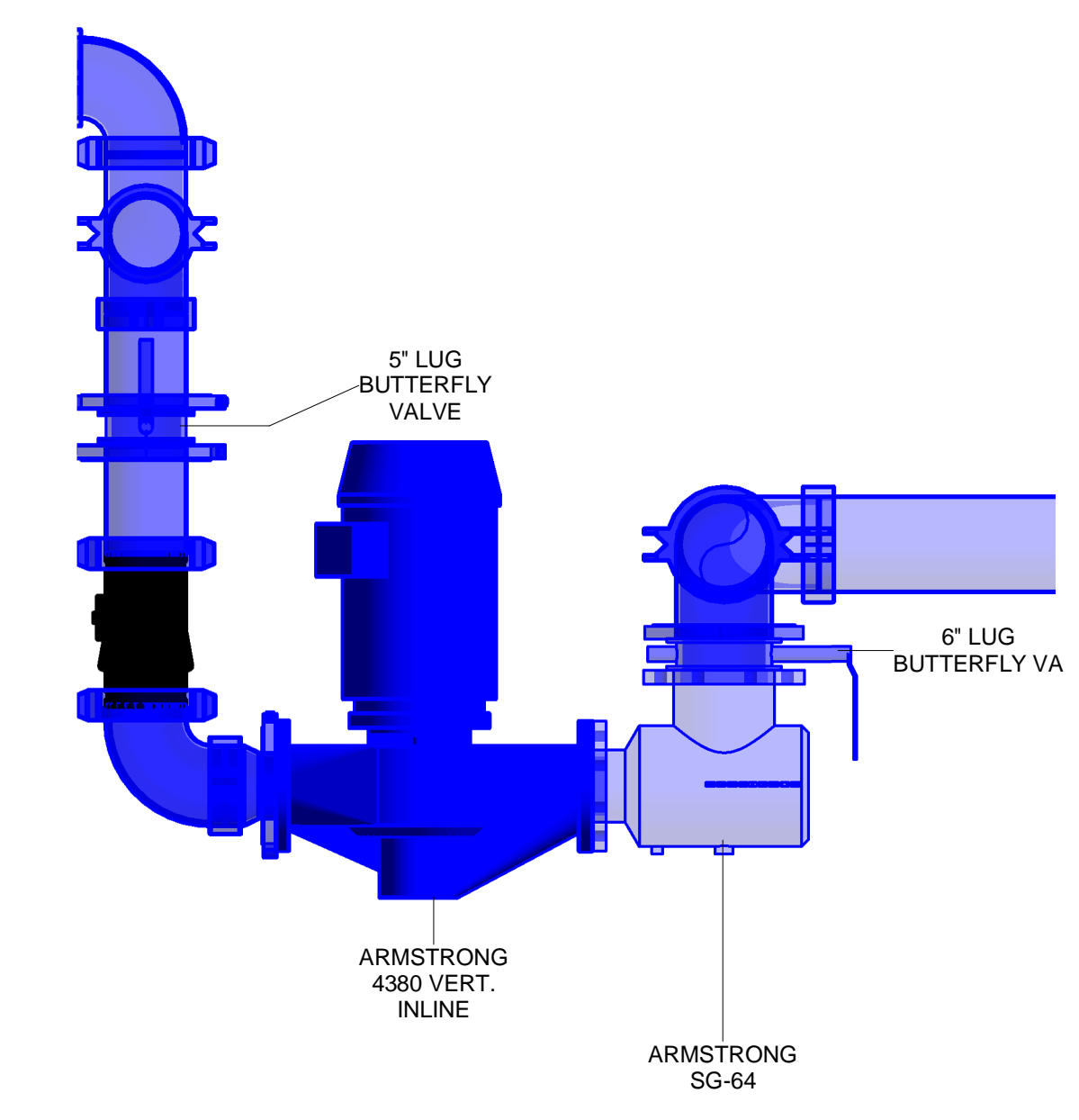
6 Section 6N
1/2" = 1'-0"



7 Section 7N
1/2" = 1'-0"



8 Section 8N
1/2" = 1'-0"



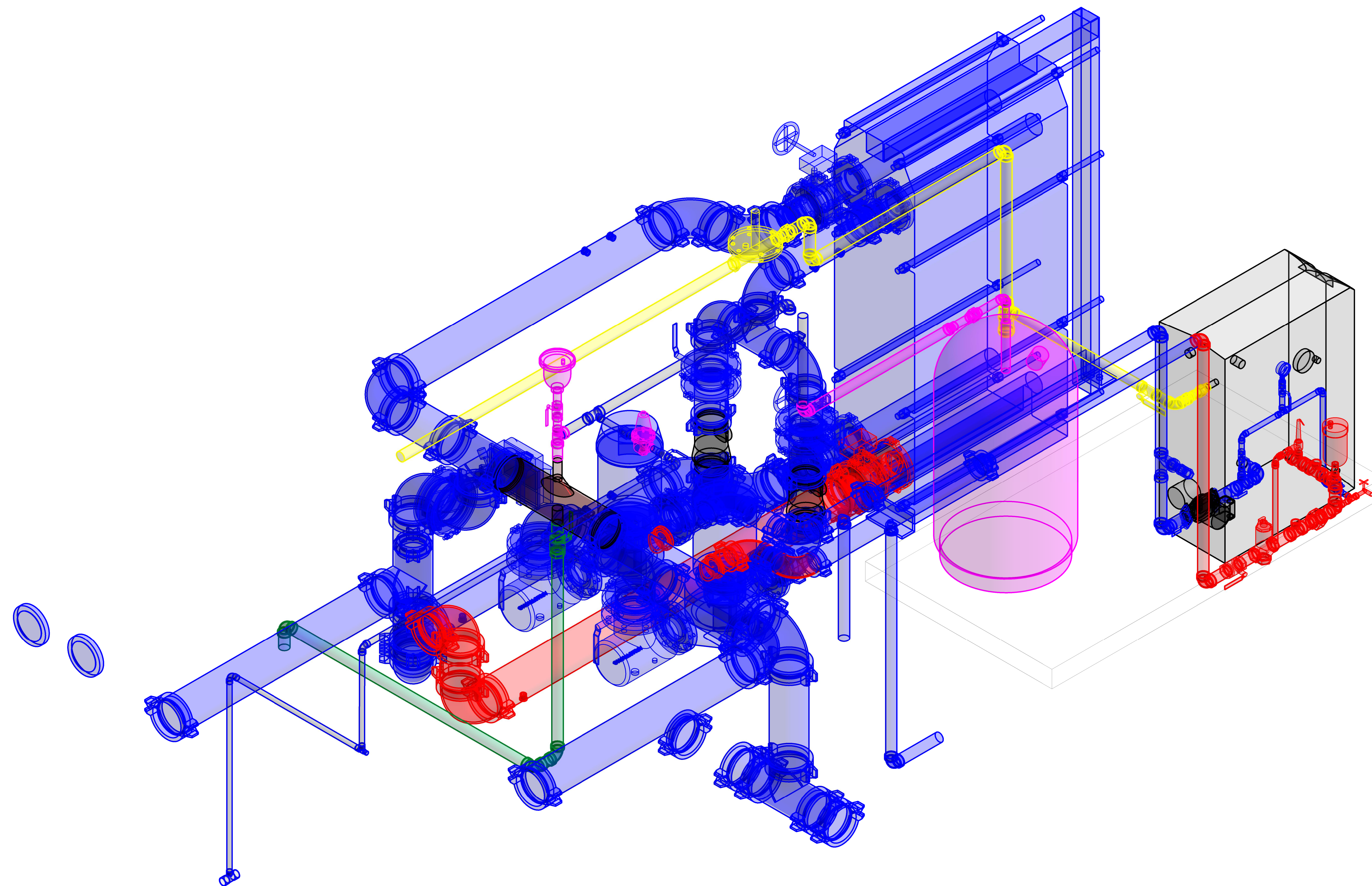
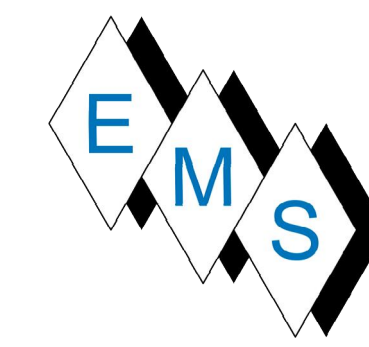
9 PUMP DETAIL
1" = 1'-0"

No.	Description	Date

20 HORSENECK LANE LLC
 20 HORSENECK LANE HX PROJECT
 20 HORSENECK LANE GREENWICH, CT

NEW LAYOUT SECTIONS AND PUMP DETAILS

Project Number	4938
Date	9/10/19
Drawn By	T.H.
Checked By	T.H.



① NE ISO VIEW N

No.	Description	Date

20 HORSENECK LANE LLC

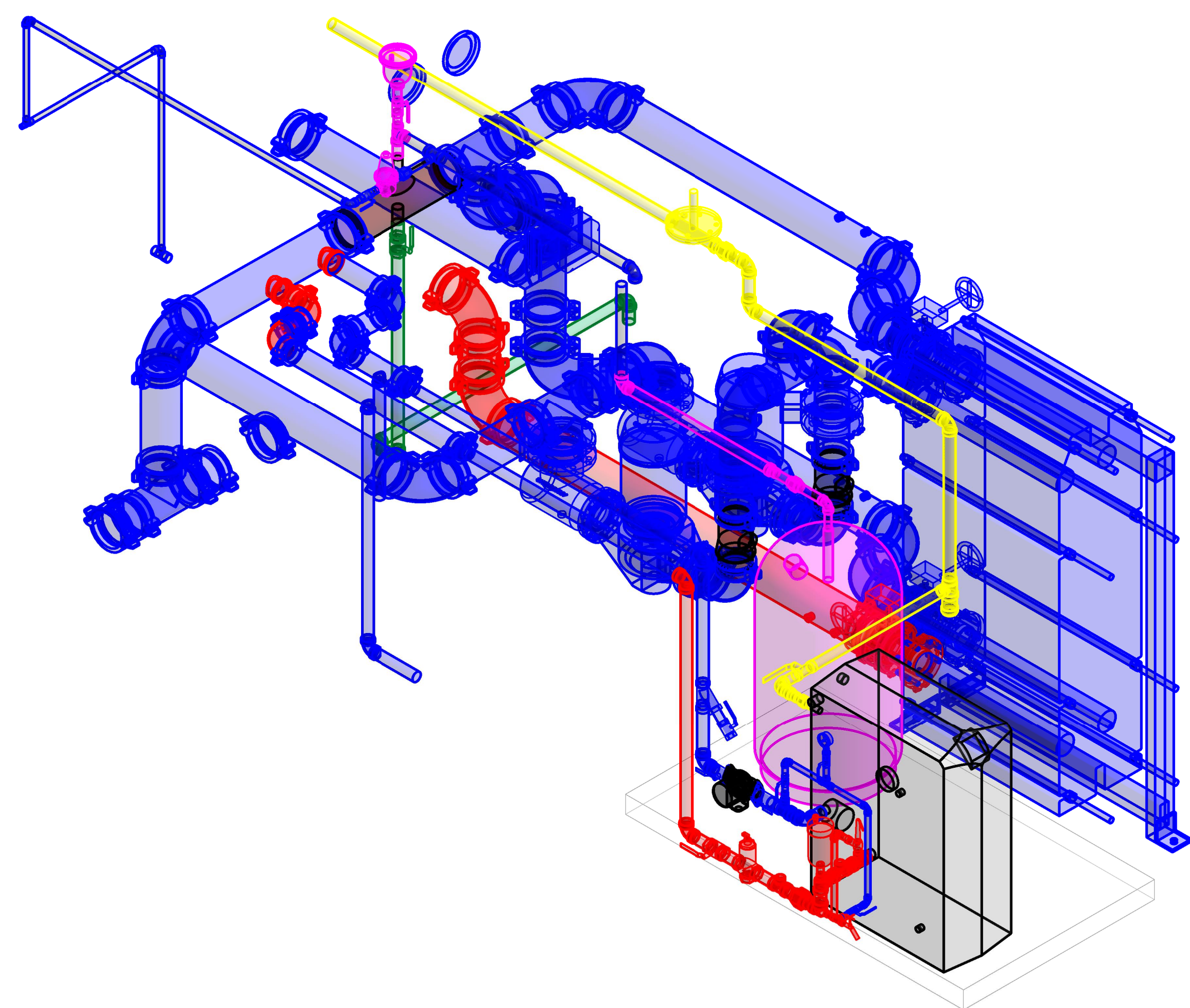
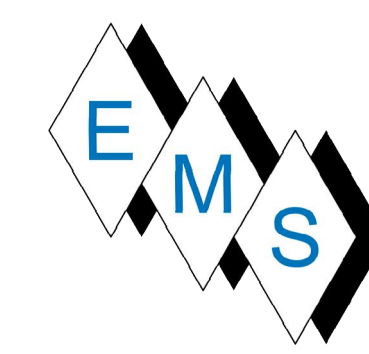
20 HORSENECK LANE HX
PROJECT

20 HORSENECK LANE
GREENWICH, CT

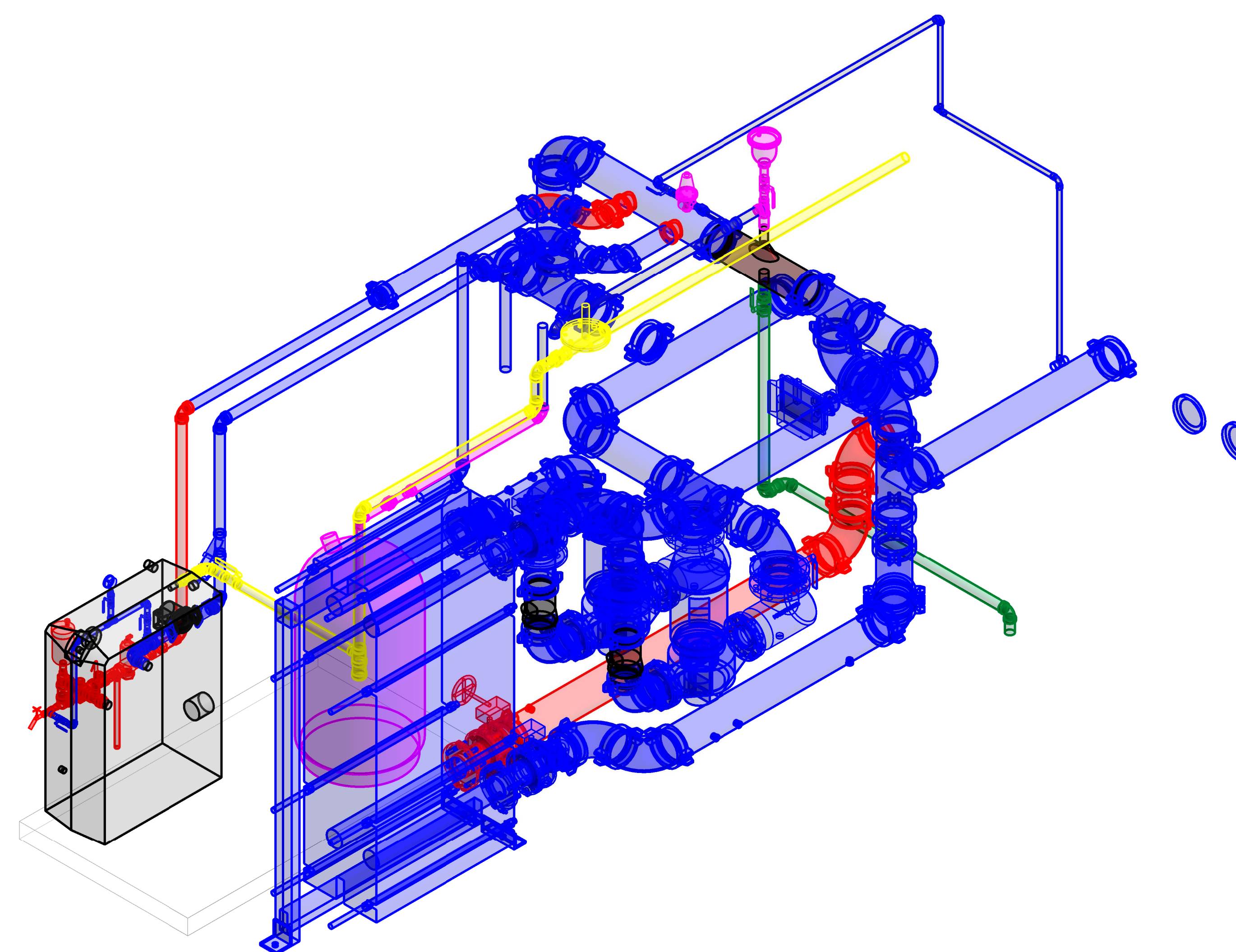
NE ISO VIEW N

Project Number 4938
Date 9/10/19
Drawn By T.H.
Checked By J.H.

M200.2



1 NW ISO VIEW N



2 SW ISO VIEW N

No.	Description	Date

20 HORSENECK LANE LLC

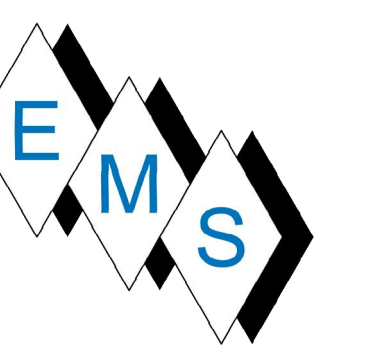
20 HORSENECK LANE HX
PROJECT

20 HORSENECK LANE
GREENWICH, CT

NW / SW ISO VIEWS

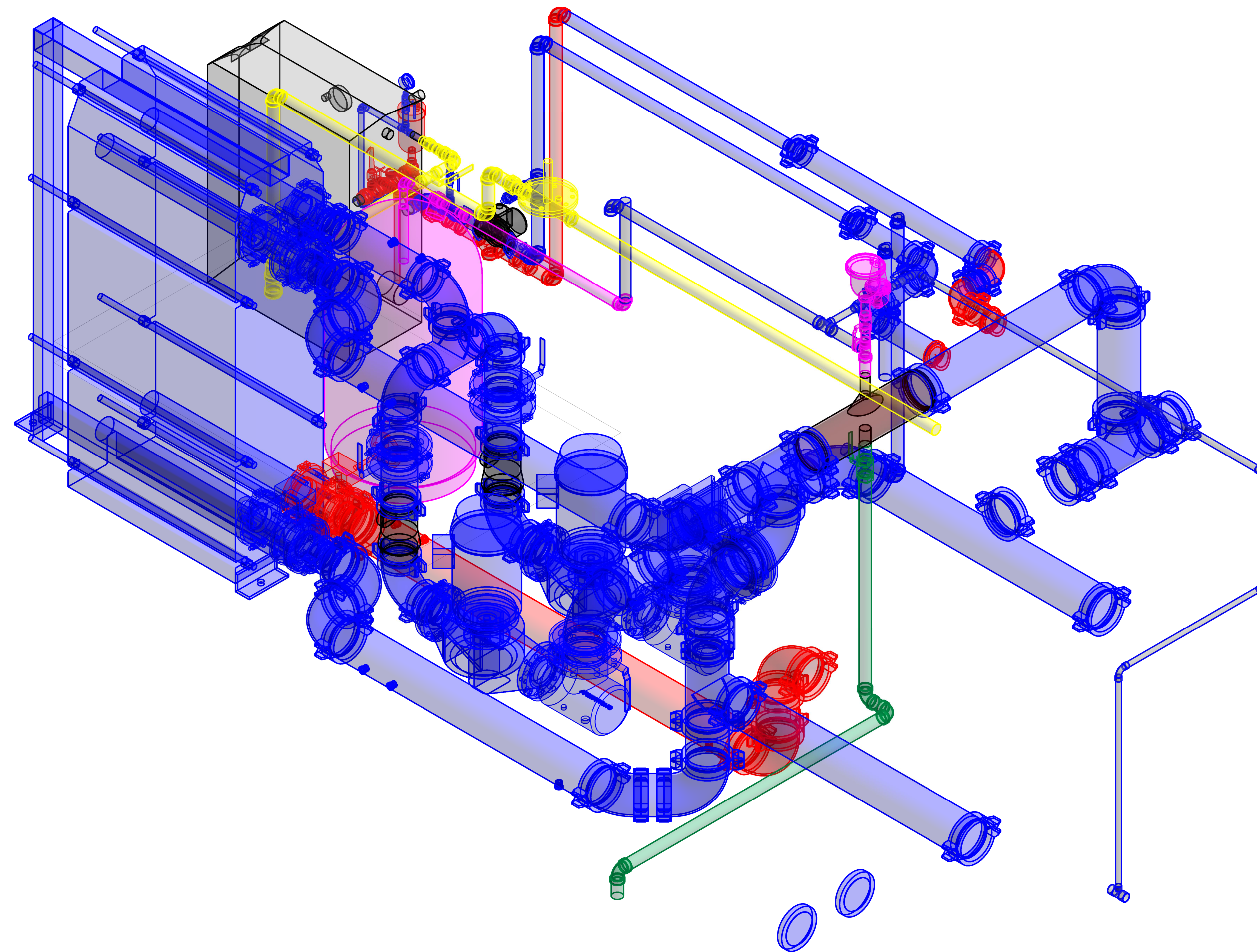
Project Number	4938
Date	9/10/19
Drawn By	T.H.
Checked By	T.H.

M200.3



EASTERN MECHANICAL SERVICES

3 Starr Street, Danbury, CT 06810
Ph. 203.792.7668 www.emsinc.us



1 SE ISO VIEW N

No.	Description	Date

20 HORSENECK LANE LLC

20 HORSENECK LANE HX
PROJECT

20 HORSENECK LANE
GREENWICH, CT

SE ISO VIEW

Project Number	4938
Date	9/10/19
Drawn By	T.H.
Checked By	T.H.

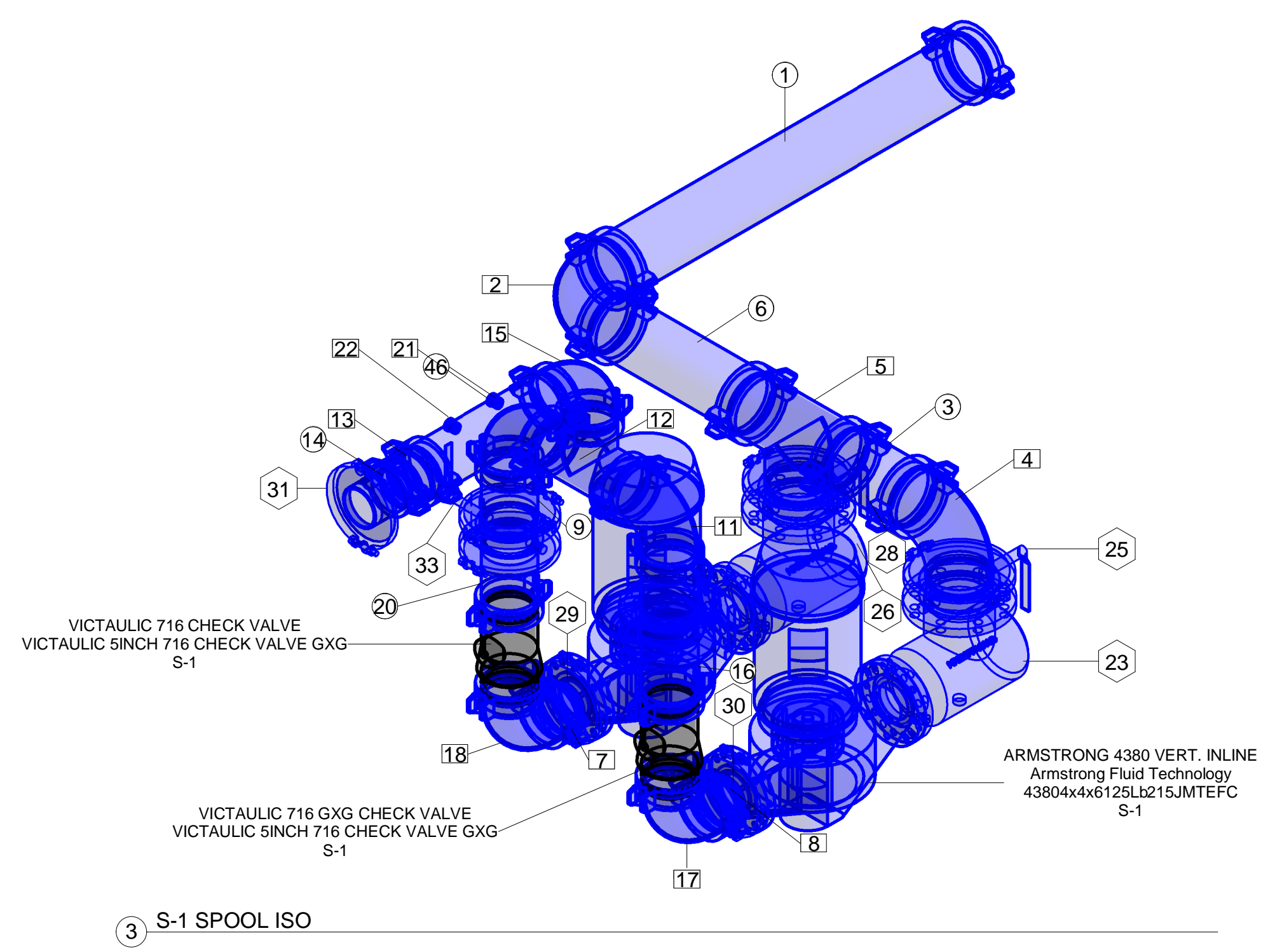
M200.4

S-1 Pipe Schedule				
Piece Number	Diameter	Family and Type	Length	Comments
1	6"	Pipe Types: DI GRV Victaulic (CU Press Viega x DI GRV Victaulic)-3	4' - 1 7/16"	S-1
3	6"	Pipe Types: DI GRV Victaulic (CU Press Viega x DI GRV Victaulic)-3	0' - 9 3/16"	S-1
6	6"	Pipe Types: DI GRV Victaulic (CU Press Viega x DI GRV Victaulic)-3	1' - 7 1/4"	S-1
9	5"	Pipe Types: DI GRV Victaulic (CU Press Viega x DI GRV Victaulic)-3	0' - 6 9/16"	S-1
46	5"	Pipe Types: DI GRV Victaulic (CU Press Viega x DI GRV Victaulic)-3	1' - 5 11/16"	S-1
16	5"	Pipe Types: DI GRV Victaulic (CU Press Viega x DI GRV Victaulic)-3	0' - 7 9/16"	S-1
19	5"	Pipe Types: DI GRV Victaulic (CU Press Viega x DI GRV Victaulic)-3	0' - 6 7/16"	S-1
20	5"	Pipe Types: DI GRV Victaulic (CU Press Viega x DI GRV Victaulic)-3	0' - 7 7/16"	S-1
14	4"	Pipe Types: DI GRV Victaulic (CU Press Viega x DI GRV Victaulic)-3	0' - 4 15/16"	S-1

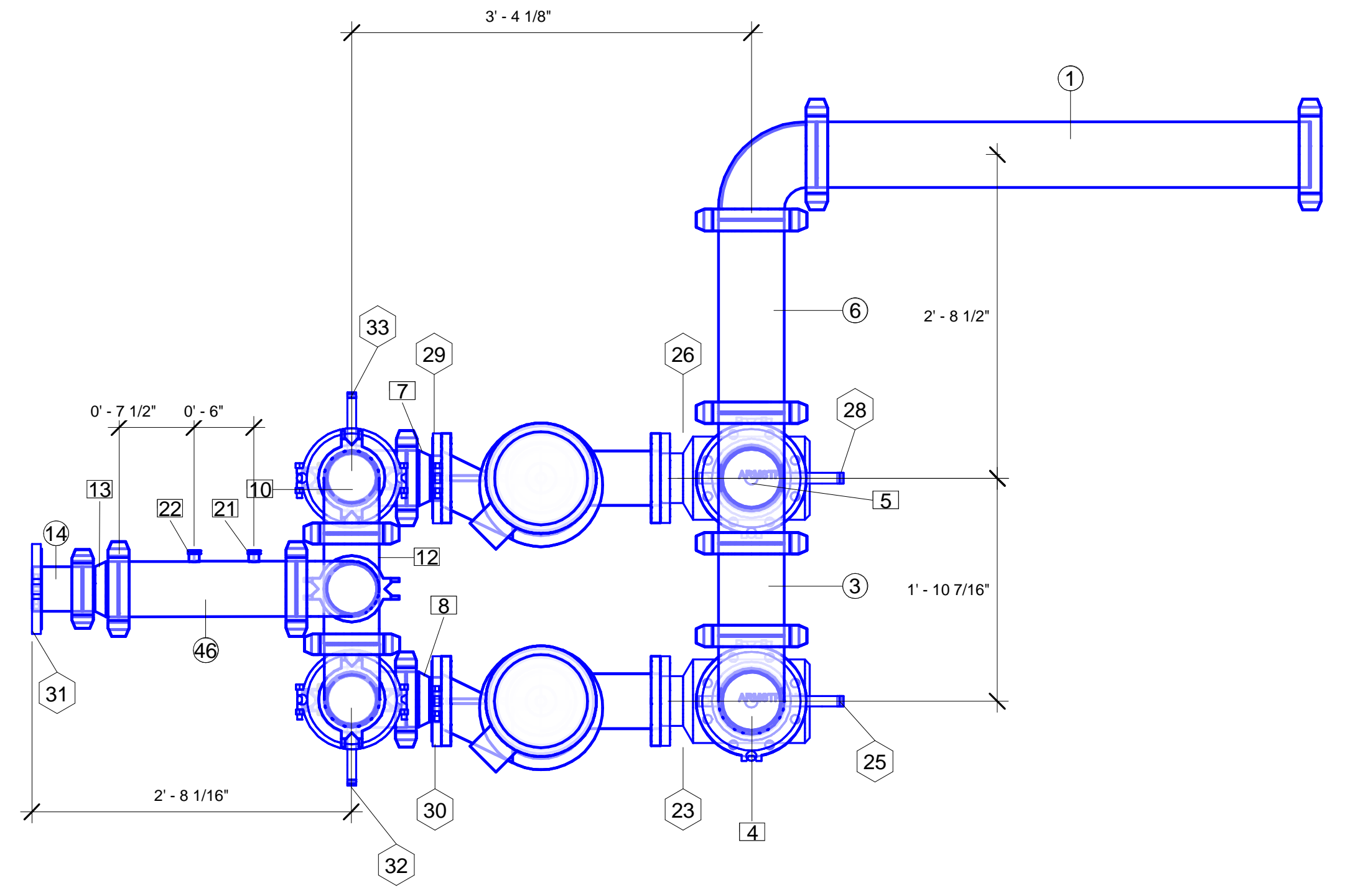
S-1 Pipe Fitting Schedule				
Piece Number	Size	Family and Type		Comments
2	6"ø-6"ø	Victaulic DI IPS Painted NO 10 90 Elbow Grv x Grv: Victaulic DI		S-1
4	6"ø-6"ø	Victaulic DI IPS Painted NO 10 90 Elbow Grv x Grv: Victaulic DI		S-1
0	6"ø-6"ø	Victaulic DI PNT Style 177 Quick-Vic Flex Coupling Grade EHP GRVxGRV: Victaulic DI		S-1
0	6"ø-6"ø	Victaulic DI PNT Style 177 Quick-Vic Flex Coupling Grade EHP GRVxGRV: Victaulic DI		S-1
0	6"ø-6"ø	Victaulic DI PNT Style 177 Quick-Vic Flex Coupling Grade EHP GRVxGRV: Victaulic DI		S-1
5	6"ø-6"ø-6"ø	Victaulic DI IPS Painted NO 20 Tee Grv x Grv x Grv: Victaulic DI		S-1
0	6"ø-6"ø	Victaulic DI PNT Style 177 Quick-Vic Flex Coupling Grade EHP GRVxGRV: Victaulic DI		S-1
0	6"ø-6"ø	Victaulic DI PNT Style 177 Quick-Vic Flex Coupling Grade EHP GRVxGRV: Victaulic DI		S-1
7	5"ø-4"ø	Victaulic DI IPS Painted NO 50 Concentric Reducer Grv x Grv: Victaulic DI		S-1
8	5"ø-4"ø	Victaulic DI IPS Painted NO 50 Concentric Reducer Grv x Grv: Victaulic DI		S-1
10	5"ø-5"ø	Victaulic DI IPS Painted NO 10 90 Elbow Grv x Grv: Victaulic DI		S-1
11	5"ø-5"ø	Victaulic DI IPS Painted NO 10 90 Elbow Grv x Grv: Victaulic DI		S-1
0	5"ø-5"ø	Victaulic DI PNT Style 177 Quick-Vic Flex Coupling Grade EHP GRVxGRV: Victaulic DI		S-1
0	5"ø-5"ø	Victaulic DI PNT Style 177 Quick-Vic Flex Coupling Grade EHP GRVxGRV: Victaulic DI		S-1
0	5"ø-5"ø	Victaulic DI PNT Style 177 Quick-Vic Flex Coupling Grade EHP GRVxGRV: Victaulic DI		S-1
0	5"ø-5"ø	Victaulic DI PNT Style 177 Quick-Vic Flex Coupling Grade EHP GRVxGRV: Victaulic DI		S-1
12	5"ø-5"ø-5"ø	Victaulic DI IPS Painted NO 20 Tee Grv x Grv x Grv: Victaulic DI		S-1
13	5"ø-4"ø	Victaulic DI IPS Painted NO 50 Concentric Reducer Grv x Grv: Victaulic DI		S-1
15	5"ø-5"ø	Victaulic DI IPS Painted NO 10 90 Elbow Grv x Grv: Victaulic DI		S-1
0	5"ø-5"ø	Victaulic DI PNT Style 177 Quick-Vic Flex Coupling Grade EHP GRVxGRV: Victaulic DI		S-1
0	5"ø-5"ø	Victaulic DI PNT Style 177 Quick-Vic Flex Coupling Grade EHP GRVxGRV: Victaulic DI		S-1
0	5"ø-5"ø	Victaulic DI PNT Style 177 Quick-Vic Flex Coupling Grade EHP GRVxGRV: Victaulic DI		S-1
0	5"ø-5"ø	Victaulic DI PNT Style 177 Quick-Vic Flex Coupling Grade EHP GRVxGRV: Victaulic DI		S-1
0	6"ø-6"ø	Victaulic DI PNT Style 177 Quick-Vic Flex Coupling Grade EHP GRVxGRV: Victaulic DI		S-1
17	5"ø-5"ø	Victaulic DI IPS Painted NO 10 90 Elbow Grv x Grv: Victaulic DI		S-1
0	5"ø-5"ø	Victaulic DI PNT Style 177 Quick-Vic Flex Coupling Grade EHP GRVxGRV: Victaulic DI		S-1
0	5"ø-5"ø	Victaulic DI PNT Style 177 Quick-Vic Flex Coupling Grade EHP GRVxGRV: Victaulic DI		S-1
0	5"ø-5"ø	Victaulic DI PNT Style 177 Quick-Vic Flex Coupling Grade EHP GRVxGRV: Victaulic DI		S-1
0	5"ø-5"ø	Victaulic DI PNT Style 177 Quick-Vic Flex Coupling Grade EHP GRVxGRV: Victaulic DI		S-1
21	5"ø-3/4"ø	Anvil FS Class 3000 Thread-O-Let FPT; Anvil FS		S-1
22	5"ø-3/4"ø	Anvil FS Class 3000 Thread-O-Let FPT; Anvil FS		S-1
0	4"ø-4"ø	Victaulic DI PNT Style 177 Quick-Vic Flex Coupling Grade EHP GRVxGRV: Victaulic DI		S-1

S-1 Mechanical Equipment Schedule				
Item Number	Manufacturer	Family and Type		Comments
P-3	Armstrong Fluid Technology	Pump-Vertical_Inline-Armstrong-4380-6: 43804x4x6125Lb215JMTEFC		S-1
P-4	Armstrong Fluid Technology	Pump-Vertical_Inline-Armstrong-4380-6: 43804x4x6125Lb215JMTEFC		S-1
CK-2		VICTAULIC 5INCH 716 CHECK VALVE GXG: VICTAULIC 5INCH 716 CHECK VALVE GXG		S-1
CK-1		VICTAULIC 5INCH 716 CHECK VALVE GXG: VICTAULIC 5INCH 716 CHECK VALVE GXG		S-1

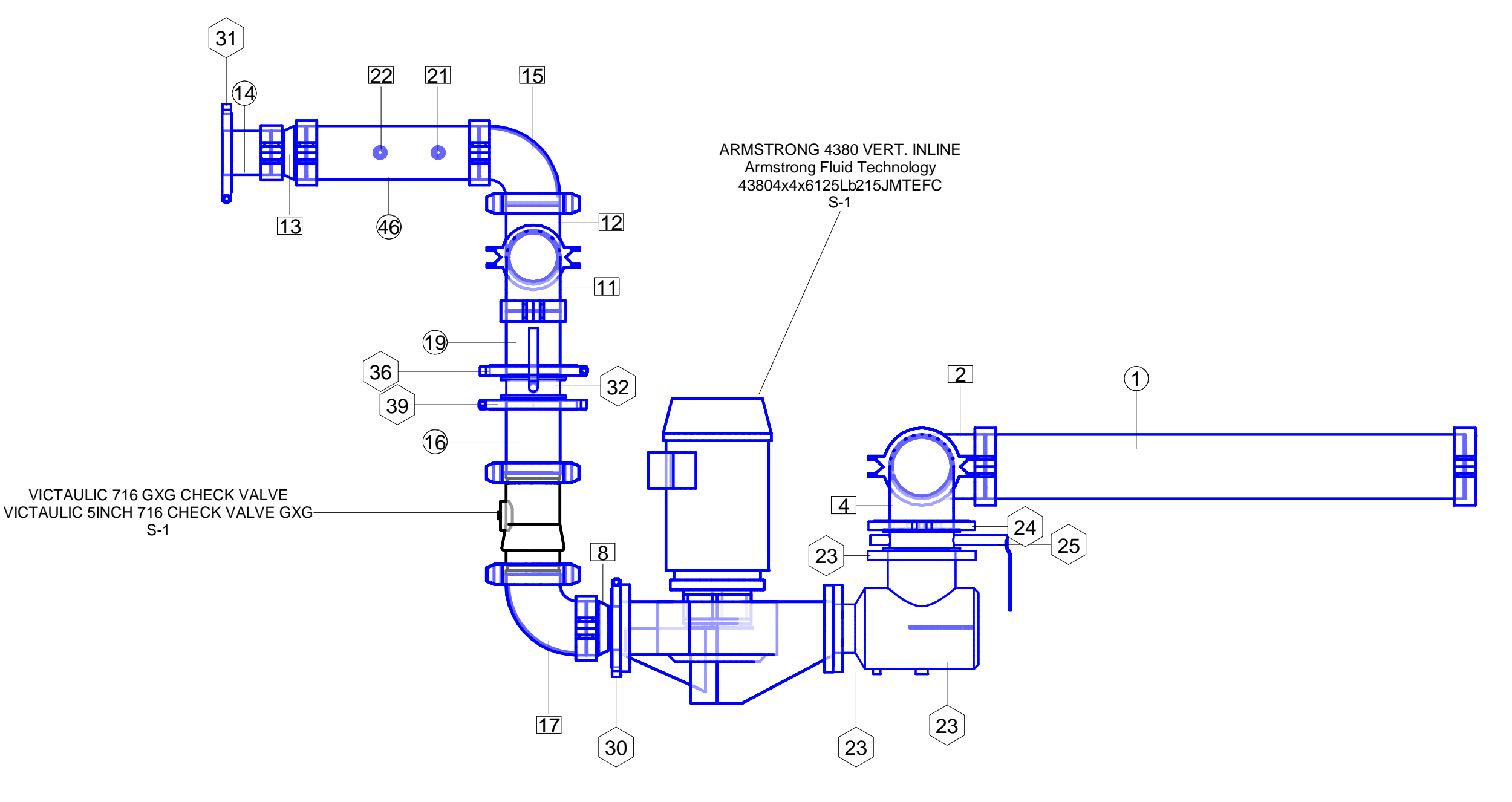
S-1 Pipe Accessory Schedule				
Piece Number	Size	Family and Type	Description	Comments
23	6"ø-4"ø	Suction_Guide-Armstrong-Small_SG: SG-64-125lb	Flanged Suction Guide	S-1
24	6"ø-6"ø	Victaulic DI Class 150 Pnt Style 741 Flange Adapter Gr-E GEXFLG: Victaulic DI	NO 741 150# Flg Adpt E_Gskt	S-1
25	6"ø-6"ø	Nibco DI LD-2000 Butterfly Valve Flgd x Flgd: Nibco DI	LD-2000BF	S-1
26	6"ø-4"ø	Suction_Guide-Armstrong-Small_SG: SG-64-125lb	Flanged Suction Guide	S-1
27	6"ø-6"ø	Victaulic DI Class 150 Pnt Style 741 Flange Adapter Gr-E GEXFLG: Victaulic DI	NO 741 150# Flg Adpt E_Gskt	S-1
28	6"ø-6"ø	Nibco DI LD-2000 Butterfly Valve Flgd x Flgd: Nibco DI	LD-2000BF	S-1
29	4"ø-4"ø	Victaulic DI Class 150 Pnt Style 741 Flange Adapter Gr-E GEXFLG: Victaulic DI	NO 741 150# Flg Adpt E_Gskt	S-1
30	4"ø-4"ø	Victaulic DI Class 150 Pnt Style 741 Flange Adapter Gr-E GEXFLG: Victaulic DI	NO 741 150# Flg Adpt E_Gskt	S-1
31	4"ø-4"ø	Victaulic DI Class 150 Pnt Style 741 Flange Adapter Gr-E GEXFLG: Victaulic DI	NO 741 150# Flg Adpt E_Gskt	S-1
32	5"ø-5"ø	Nibco DI LD-2000 Butterfly Valve Flgd x Flgd: Nibco DI	LD-2000BF	S-1
33	5"ø-5"ø	Nibco DI LD-2000 Butterfly Valve Flgd x Flgd: Nibco DI	LD-2000BF	S-1
34	5"ø-5"ø	FNW R-150-RG-A Rubber Gasket: Gasket	150# RF Rubber Gasket R-150-RG-A	S-1
35	5"ø-5"ø	Generic Pipe CS Class150 Hex Bolt Set: Generic Pipe CS Class150	150# Hex Bolt Set	S-1
36	5"ø-5"ø	Victaulic DI Class 150 Pnt Style 741 Flange Adapter Gr-E GEXFLG: Victaulic DI	NO 741 150# Flg Adpt E_Gskt	S-1
37	5"ø-5"ø	FNW R-150-RG-A Rubber Gasket: Gasket	150# RF Rubber Gasket R-150-RG-A	S-1
38	5"ø-5"ø	Generic Pipe CS Class150 Hex Bolt Set: Generic Pipe CS Class150	150# Hex Bolt Set	S-1
39	5"ø-5"ø	Victaulic DI Class 150 Pnt Style 741 Flange Adapter Gr-E GEXFLG: Victaulic DI	NO 741 150# Flg Adpt E_Gskt	S-1
40	5"ø-5"ø	FNW R-150-RG-A Rubber Gasket: Gasket	150# RF Rubber Gasket R-150-RG-A	S-1
41	5"ø-5"ø	Generic Pipe CS Class150 Hex Bolt Set: Generic Pipe CS Class150	150# Hex Bolt Set	S-1
42	5"ø-5"ø	Victaulic DI Class 150 Pnt Style 741 Flange Adapter Gr-E GEXFLG: Victaulic DI	NO 741 150# Flg Adpt E_Gskt	S-1
43	5"ø-5"ø	FNW R-150-RG-A Rubber Gasket: Gasket	150# RF Rubber Gasket R-150-RG-A	S-1
44	5"ø-5"ø	Generic Pipe CS Class150 Hex Bolt Set: Generic Pipe CS Class150	150# Hex Bolt Set	S-1
45	5"ø-5"ø	Victaulic DI Class 150 Pnt Style 741 Flange Adapter Gr-E GEXFLG: Victaulic DI	NO 741 150# Flg Adpt E_Gskt	S-1



3 S-1 SPOOL ISO



1 S-1 MAP



2 S-1 SECTION

No.	Description	Date

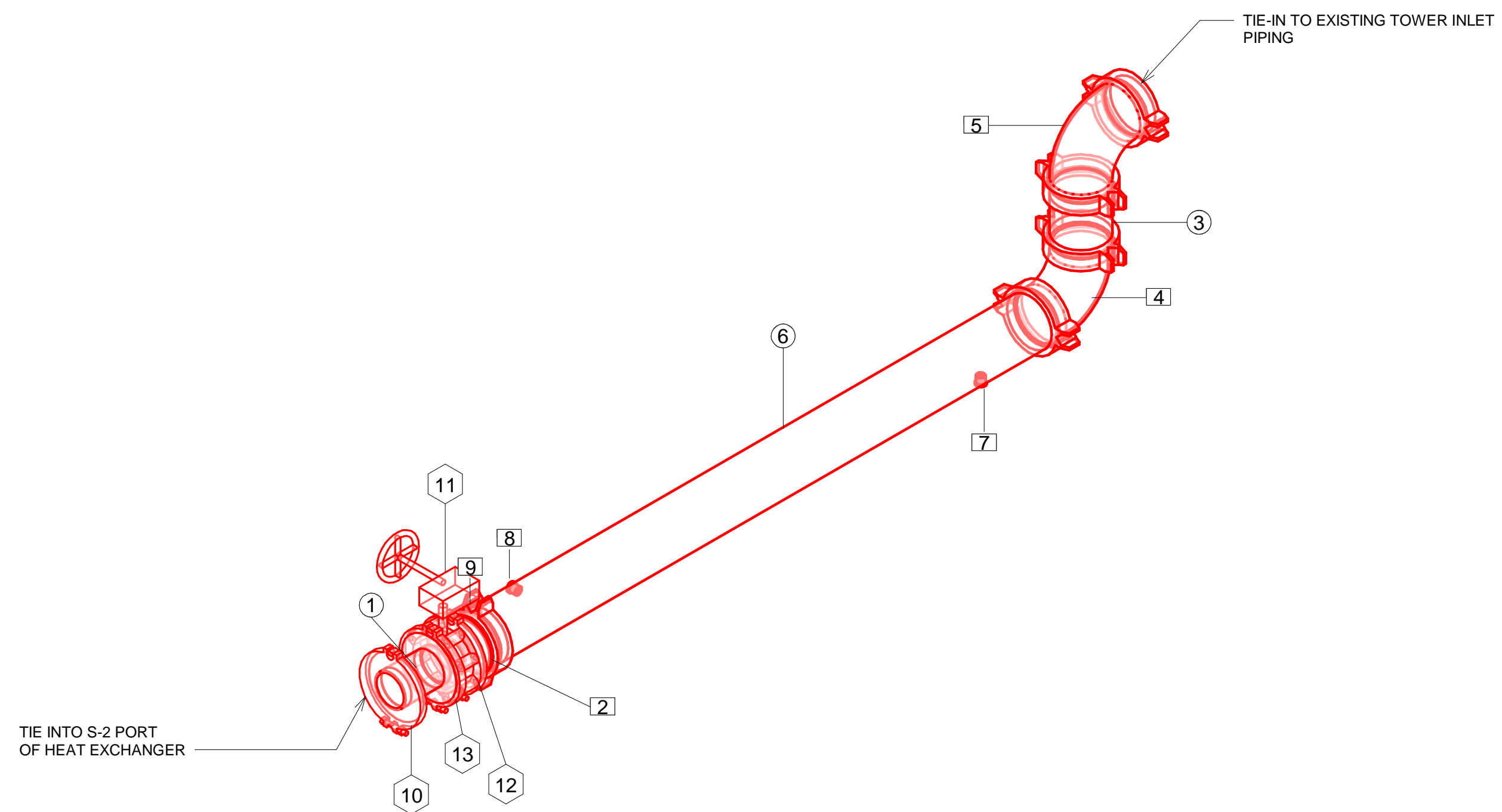
20 HORSENECK LANE LLC
 20 HORSENECK LANE HX PROJECT
 20 HORSENECK LANE GREENWICH, CT

S-1 FABRICATION SHEET	
Project Number	4938
Date	9/10/19
Drawn By	T.H.
Checked By	J.H.
Scale	M300.0

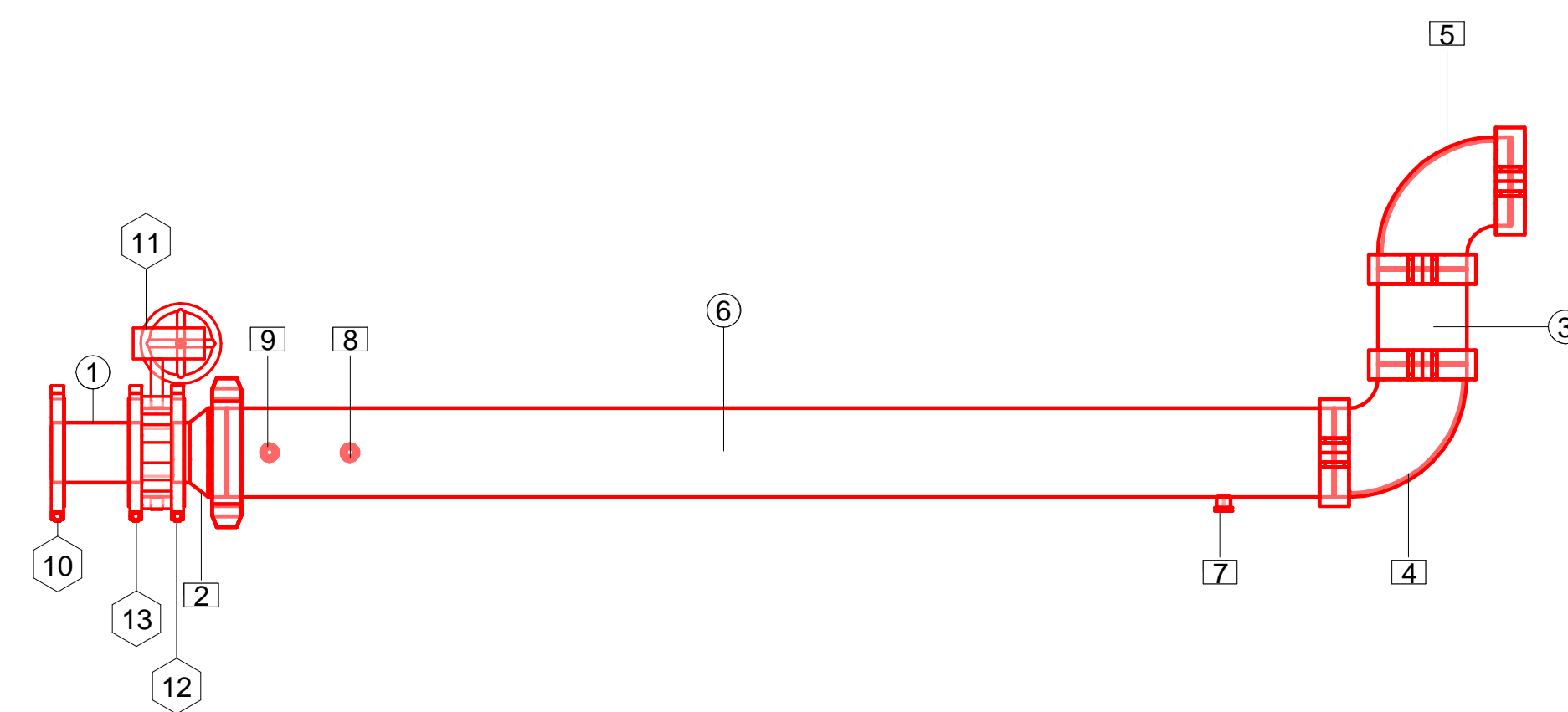
S-2 Pipe Schedule				
Piece Number	Diameter	ch	Length	Comments
1	4"	Pipe Types: DI GRV Victaulic (CU Press Viega x DI GRV Victaulic)-3	0' - 6 11/16"	S-2
3	6"	Pipe Types: DI GRV Victaulic (CU Press Viega x DI GRV Victaulic)-2	0' - 7"	S-2
6	6"	Pipe Types: DI GRV Victaulic (CU Press Viega x DI GRV Victaulic)-2	6' - 10 9/16"	S-2
0	6"	Pipe Types: DI GRV Victaulic (CU Press Viega x DI GRV Victaulic)-3	5' - 3 7/8"	S-2

S-2 Pipe Fitting Schedule				
Count	Piece Number	Size	Family and Type	Comments
1	2	6"ø-4"ø	Victaulic DI IPS Painted NO 50 Concentric Reducer Grv x Grv: Victaulic DI	S-2
1	4	6"ø-6"ø	Victaulic DI IPS Painted NO 10 90 Elbow Grv x Grv: Victaulic DI	S-2
1	5	6"ø-6"ø	Victaulic DI IPS Painted NO 10 90 Elbow Grv x Grv: Victaulic DI	S-2
1	0	6"ø-6"ø	Victaulic DI PNT Style 177 Quick-Vic Flex Coupling Grade EHP GRVxGRV: Victaulic DI	S-2
1	0	6"ø-6"ø	Victaulic DI PNT Style 177 Quick-Vic Flex Coupling Grade EHP GRVxGRV: Victaulic DI	S-2
1	0	6"ø-6"ø	Victaulic DI PNT Style 177 Quick-Vic Flex Coupling Grade EHP GRVxGRV: Victaulic DI	S-2
1	0	6"ø-6"ø	Victaulic DI PNT Style 177 Quick-Vic Flex Coupling Grade EHP GRVxGRV: Victaulic DI	S-2
1	7	6"ø-3/4"ø	Anvil FS Class 3000 Thread-O-Let FPT: Anvil FS	S-2
1	8	6"ø-3/4"ø	Anvil FS Class 3000 Thread-O-Let FPT: Anvil FS	S-2
1	9	6"ø-3/4"ø	Anvil FS Class 3000 Thread-O-Let FPT: Anvil FS	S-2

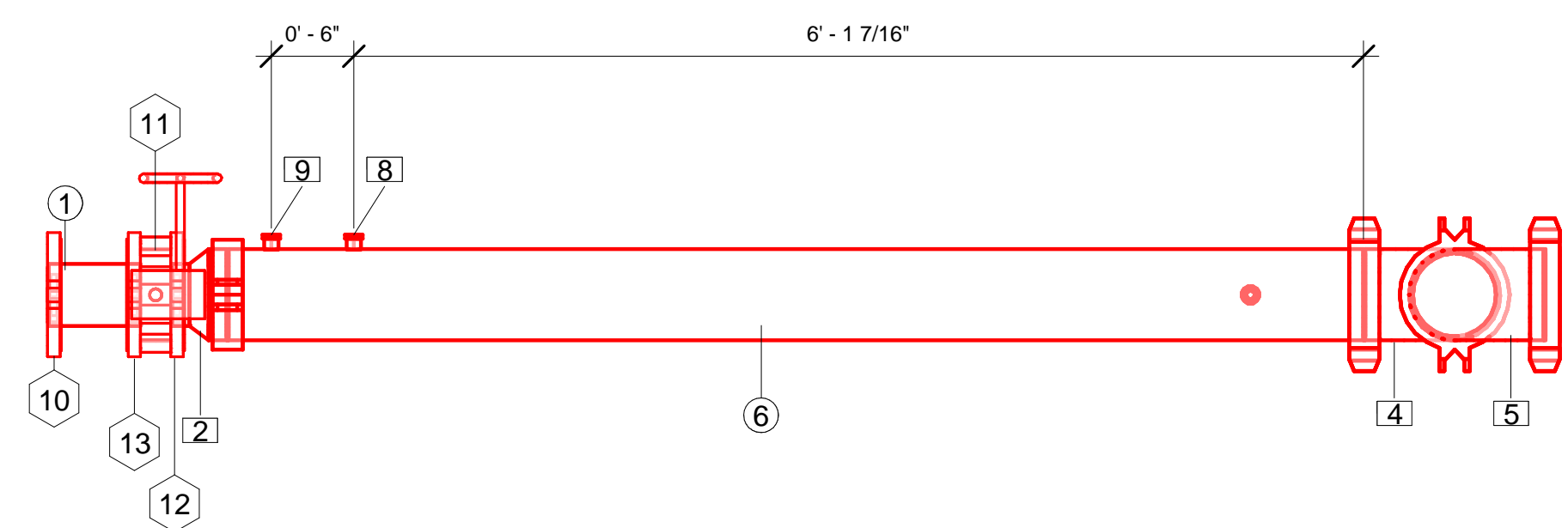
S-2 Pipe Accessory Schedule				
Piece Number	Size	Family and Type	Description	Comments
10	4"ø-4"ø	Victaulic DI Class 150 Pnt Style 741 Flange Adapter Gr-E GExFLG: Victaulic DI	NO 741 150# Flg Adpt E. Gskt	S-2
11	4"ø-4"ø	Milwaukee CI Class 200 ML324B Series 2-12 Butterfly Valve FigdxFigd: Milwaukee CI Class 200	ML324B Series SS Disc	S-2
12	4"ø-4"ø	Victaulic DI Class 150 Pnt Style 741 Flange Adapter Gr-E GExFLG: Victaulic DI	NO 741 150# Flg Adpt E. Gskt	S-2
13	4"ø-4"ø	Victaulic DI Class 150 Pnt Style 741 Flange Adapter Gr-E GExFLG: Victaulic DI	NO 741 150# Flg Adpt E. Gskt	S-2



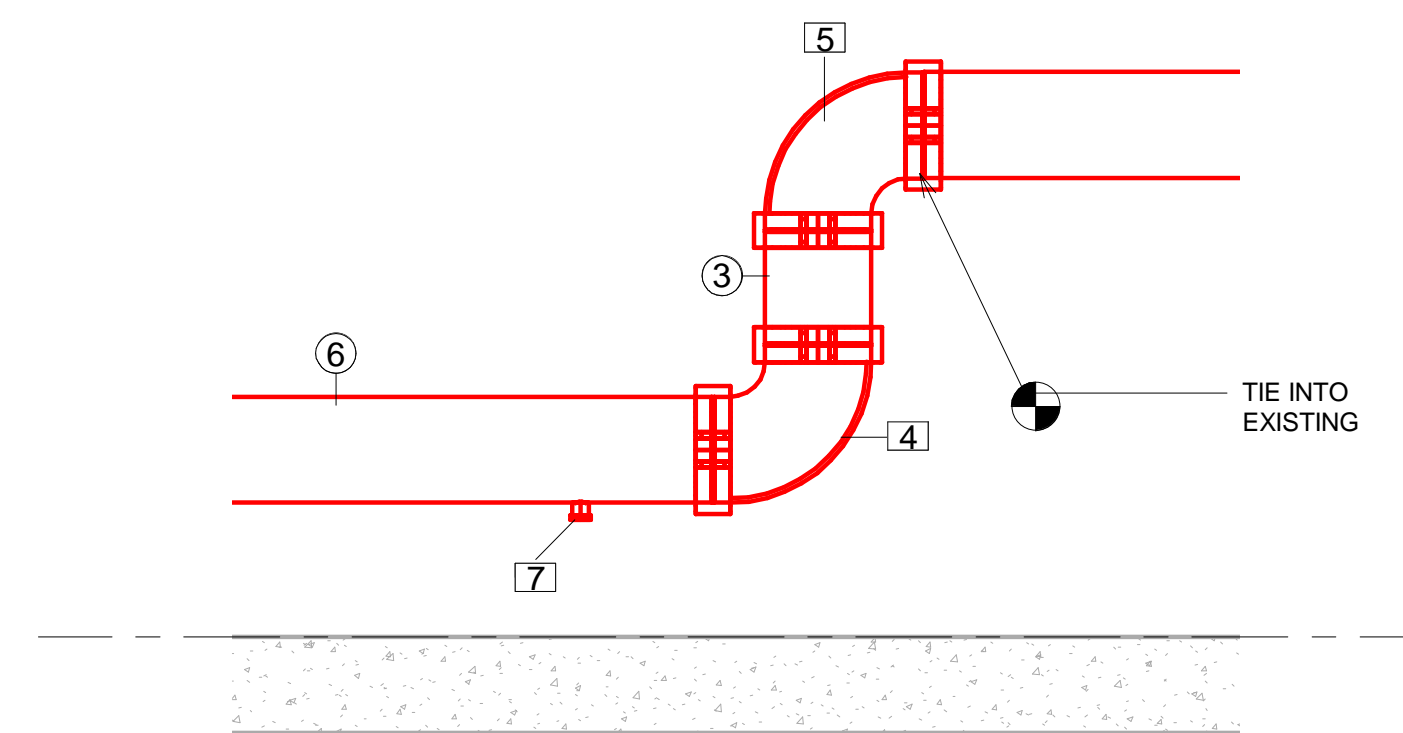
② S-2 SPOOL ISO



③ S-2 SECTION



① S-2 MAP



④ Section 9
1" = 1'-0"

No.	Description	Date

20 HORSENECK LANE LLC

20 HORSENECK LANE HX PROJECT

20 HORSENECK LANE
GREENWICH, CT

S-2 FABRICATION SHEET

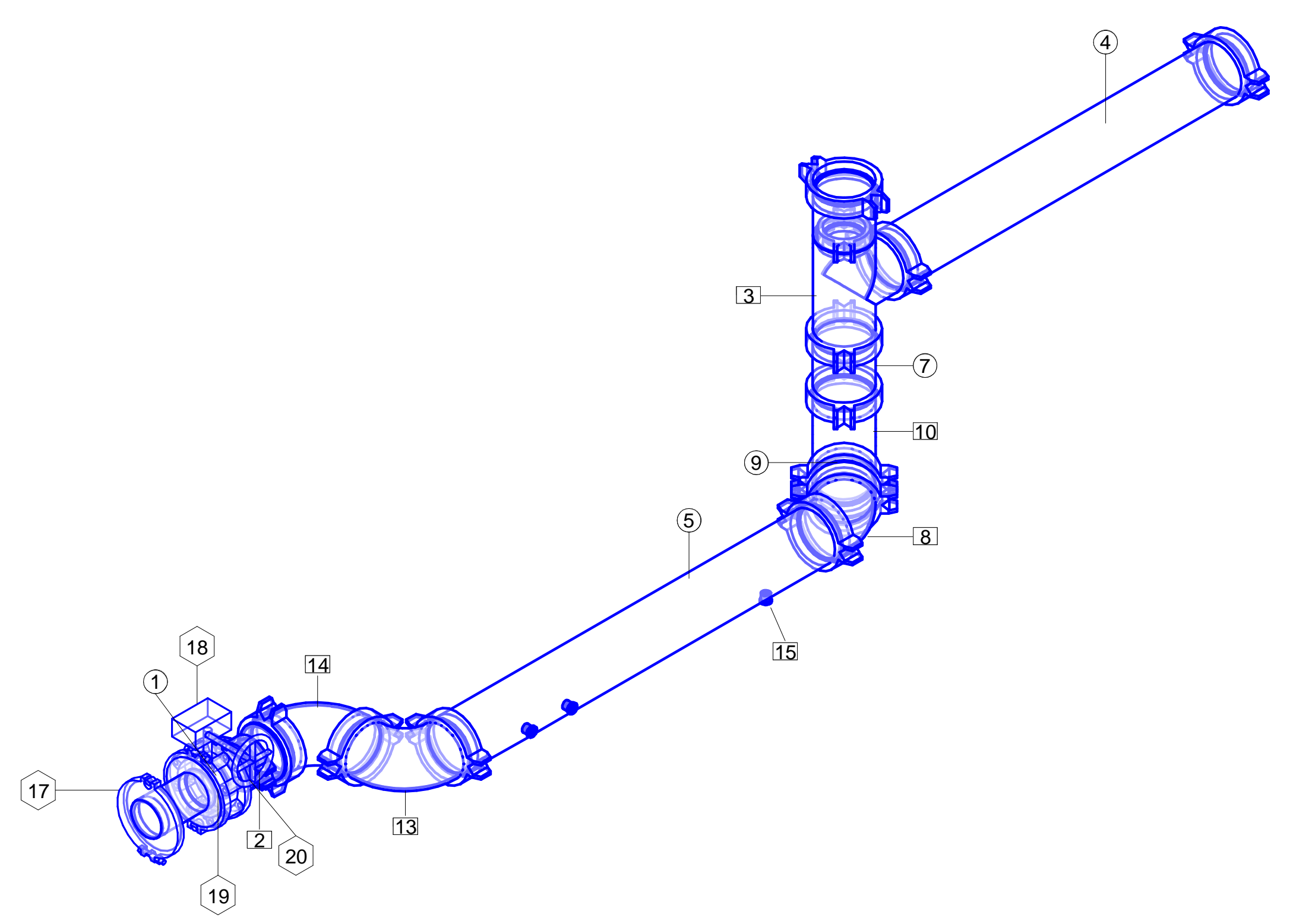
Project Number	4938
Date	9/10/19
Drawn By	T.H.
Checked By	J.H.

M300.1
Scale 1" = 1'-0"

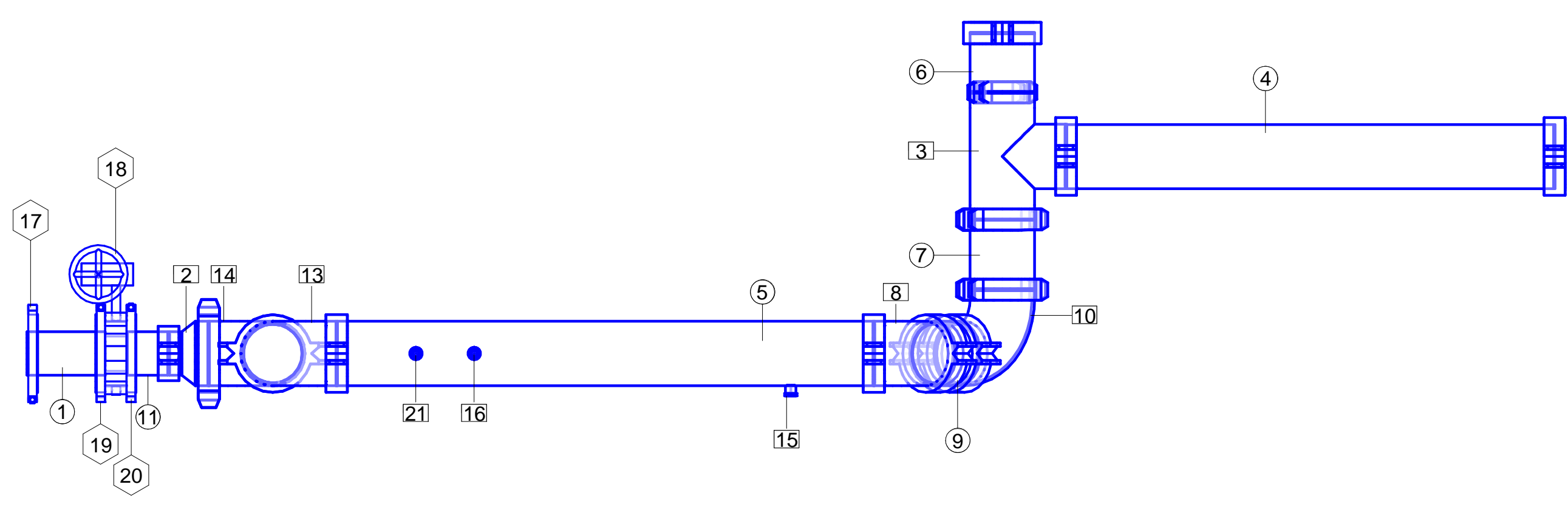
S-3 Pipe Schedule				
Piece Number	Diameter	Family and Type	Length	Comments
1	4"	Pipe Types: DI GRV Victaulic (CU Press Viega x DI GRV Victaulic)-3	0' - 8 1/16"	S-3
4	6"	Pipe Types: DI GRV Victaulic (CU Press Viega x DI GRV Victaulic)-3	4' - 2 1/8"	S-3
5	6"	Pipe Types: DI GRV Victaulic (CU Press Viega x DI GRV Victaulic)-2	4' - 7 3/16"	S-3
6	6"	Pipe Types: DI GRV Victaulic (CU Press Viega x DI GRV Victaulic)-3	0' - 5 15/16"	S-3
7	6"	Pipe Types: DI GRV Victaulic (CU Press Viega x DI GRV Victaulic)-2	0' - 7 1/8"	S-3
9	6"	Pipe Types: DI GRV Victaulic (CU Press Viega x DI GRV Victaulic)-2	0' - 3 3/8"	S-3
11	4"	Pipe Types: DI GRV Victaulic (CU Press Viega x DI GRV Victaulic)-3	0' - 4 3/16"	S-3

S-3 Pipe Fitting Schedule			
Piece Number	Size	Family and Type	Comments
2	6"ø-4"ø	Victaulic DI IPS Painted NO 50 Concentric Reducer Grv x Grv: Victaulic DI	S-3
3	6"ø-6"ø-6"ø	Victaulic DI IPS Painted NO 20 Tee Grv x Grv x Grv: Victaulic DI	S-3
0	6"ø-6"ø	Victaulic DI PNT Style 177 Quick-Vic Flex Coupling Grade EHP GRVxGRV: Victaulic DI	S-3
0	6"ø-6"ø	Victaulic DI PNT Style 177 Quick-Vic Flex Coupling Grade EHP GRVxGRV: Victaulic DI	S-3
8	6"ø-6"ø	Victaulic DI IPS Painted NO 11 45 Elbow Grv x Grv: Victaulic DI	S-3
0	6"ø-6"ø	Victaulic DI PNT Style 177 Quick-Vic Flex Coupling Grade EHP GRVxGRV: Victaulic DI	S-3
0	4"ø-4"ø	Victaulic DI PNT Style 177 Quick-Vic Flex Coupling Grade EHP GRVxGRV: Victaulic DI	S-3
0	6"ø-6"ø	Victaulic DI PNT Style 177 Quick-Vic Flex Coupling Grade EHP GRVxGRV: Victaulic DI	S-3
0	6"ø-6"ø	Victaulic DI PNT Style 177 Quick-Vic Flex Coupling Grade EHP GRVxGRV: Victaulic DI	S-3
0	6"ø-6"ø	Victaulic DI PNT Style 177 Quick-Vic Flex Coupling Grade EHP GRVxGRV: Victaulic DI	S-3
0	6"ø-6"ø	Victaulic DI PNT Style 177 Quick-Vic Flex Coupling Grade EHP GRVxGRV: Victaulic DI	S-3
10	6"ø-6"ø	Victaulic DI IPS Painted NO 10 90 Elbow Grv x Grv: Victaulic DI	S-3
0	6"ø-6"ø	Victaulic DI PNT Style 177 Quick-Vic Flex Coupling Grade EHP GRVxGRV: Victaulic DI	S-3
0	6"ø-6"ø	Victaulic DI PNT Style 177 Quick-Vic Flex Coupling Grade EHP GRVxGRV: Victaulic DI	S-3
13	6"ø-6"ø	Victaulic DI IPS Painted NO 10 90 Elbow Grv x Grv: Victaulic DI	S-3
14	6"ø-6"ø	Victaulic DI IPS Painted NO 10 90 Elbow Grv x Grv: Victaulic DI	S-3
0	6"ø-6"ø	Victaulic DI PNT Style 177 Quick-Vic Flex Coupling Grade EHP GRVxGRV: Victaulic DI	S-3
0	6"ø-6"ø	Victaulic DI PNT Style 177 Quick-Vic Flex Coupling Grade EHP GRVxGRV: Victaulic DI	S-3
15	6"ø-3/4"ø	Anvil FS Class 3000 Thread-O-Let FPT: Anvil FS	S-3
16	6"ø-3/4"ø	Anvil FS Class 3000 Thread-O-Let FPT: Anvil FS	S-3
21	6"ø-3/4"ø	Anvil FS Class 3000 Thread-O-Let FPT: Anvil FS	S-3
0	6"ø-6"ø	Victaulic DI PNT Style 177 Quick-Vic Flex Coupling Grade EHP GRVxGRV: Victaulic DI	S-3
0	4"ø-4"ø	Victaulic DI PNT Style 177 Quick-Vic Flex Coupling Grade EHP GRVxGRV: Victaulic DI	S-3

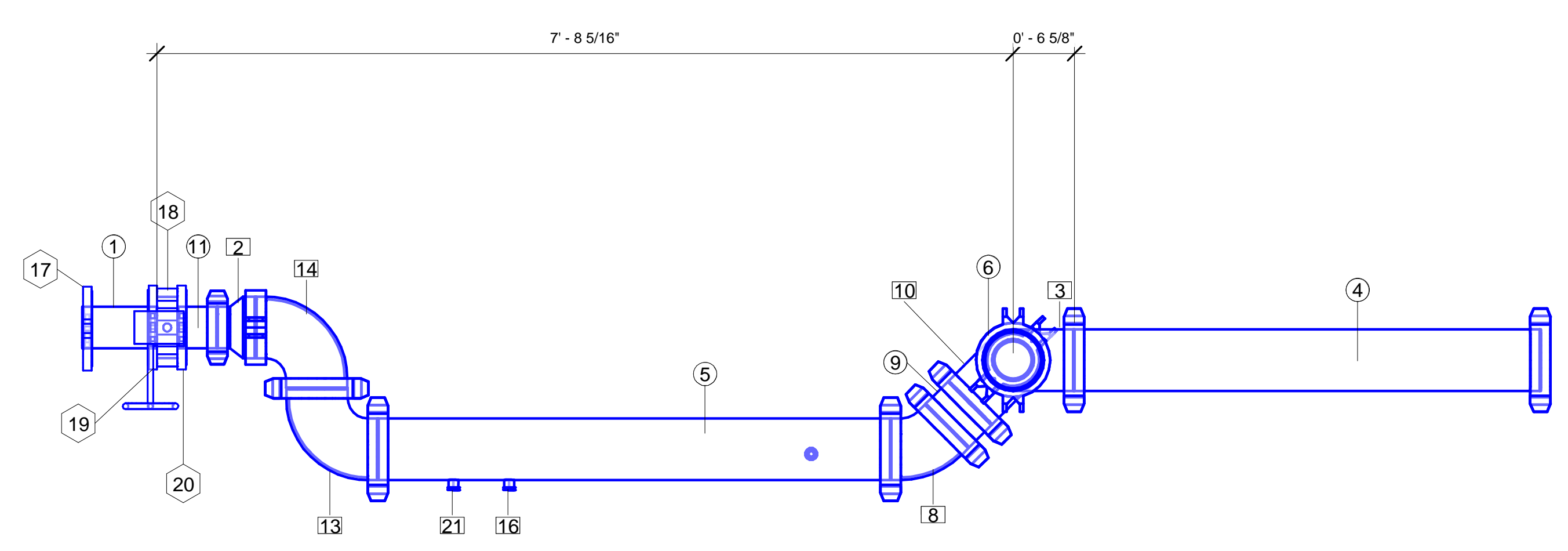
S-3 Pipe Accessory Schedule				
Piece Number	Size	Family and Type	Description	Comments
17	4"ø-4"ø	Victaulic DI Class 150 Pnt Style 741 Flange Adapter Gr-E GExFLG: Victaulic DI	NO 741 150# Flg Adpt E_Gskt	S-3
18	4"ø-4"ø	Milwaukee CI Class 200 ML324B Series 2-12 Butterfly Valve FlgdxFlgd: Milwaukee CI Class 200	ML324B Series SS Disc	S-3
19	4"ø-4"ø	Victaulic DI Class 150 Pnt Style 741 Flange Adapter Gr-E GExFLG: Victaulic DI	NO 741 150# Flg Adpt E_Gskt	S-3
20	4"ø-4"ø	Victaulic DI Class 150 Pnt Style 741 Flange Adapter Gr-E GExFLG: Victaulic DI	NO 741 150# Flg Adpt E_Gskt	S-3



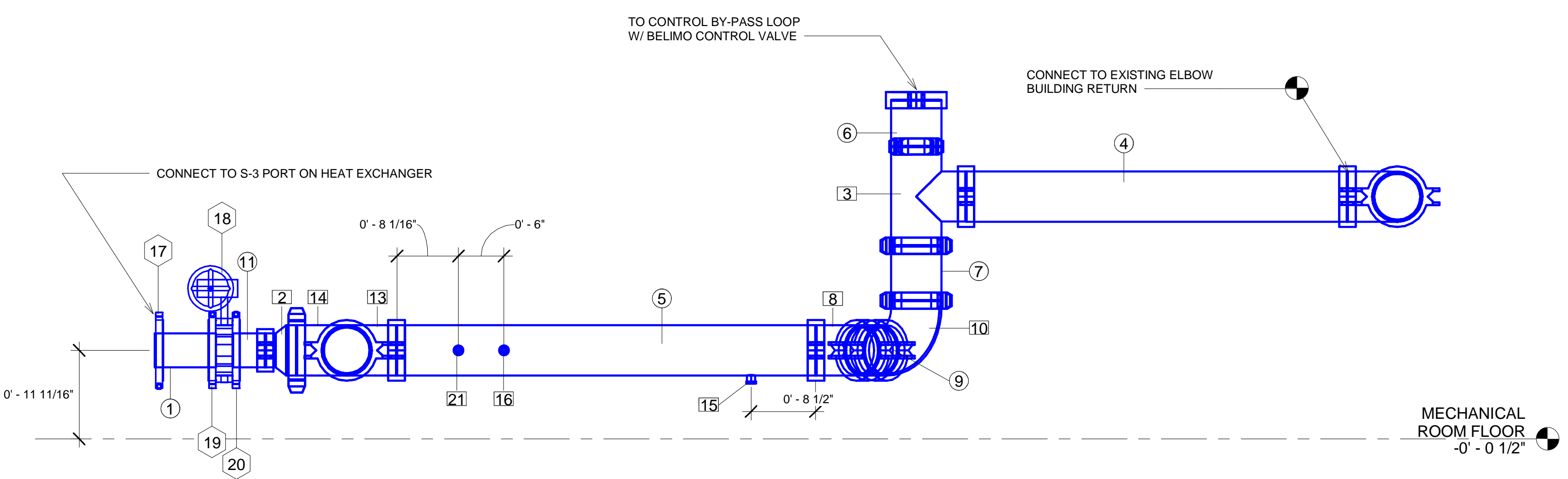
3 S-3 SPOOL ISO



4 S-3 SECTION



2 S-3 MAP



1 Section 10
1" = 1'-0"

No.	Description	Date

20 HORSENECK LANE LLC

 20 HORSENECK LANE HX PROJECT

 20 HORSENECK LANE
 GREENWICH, CT

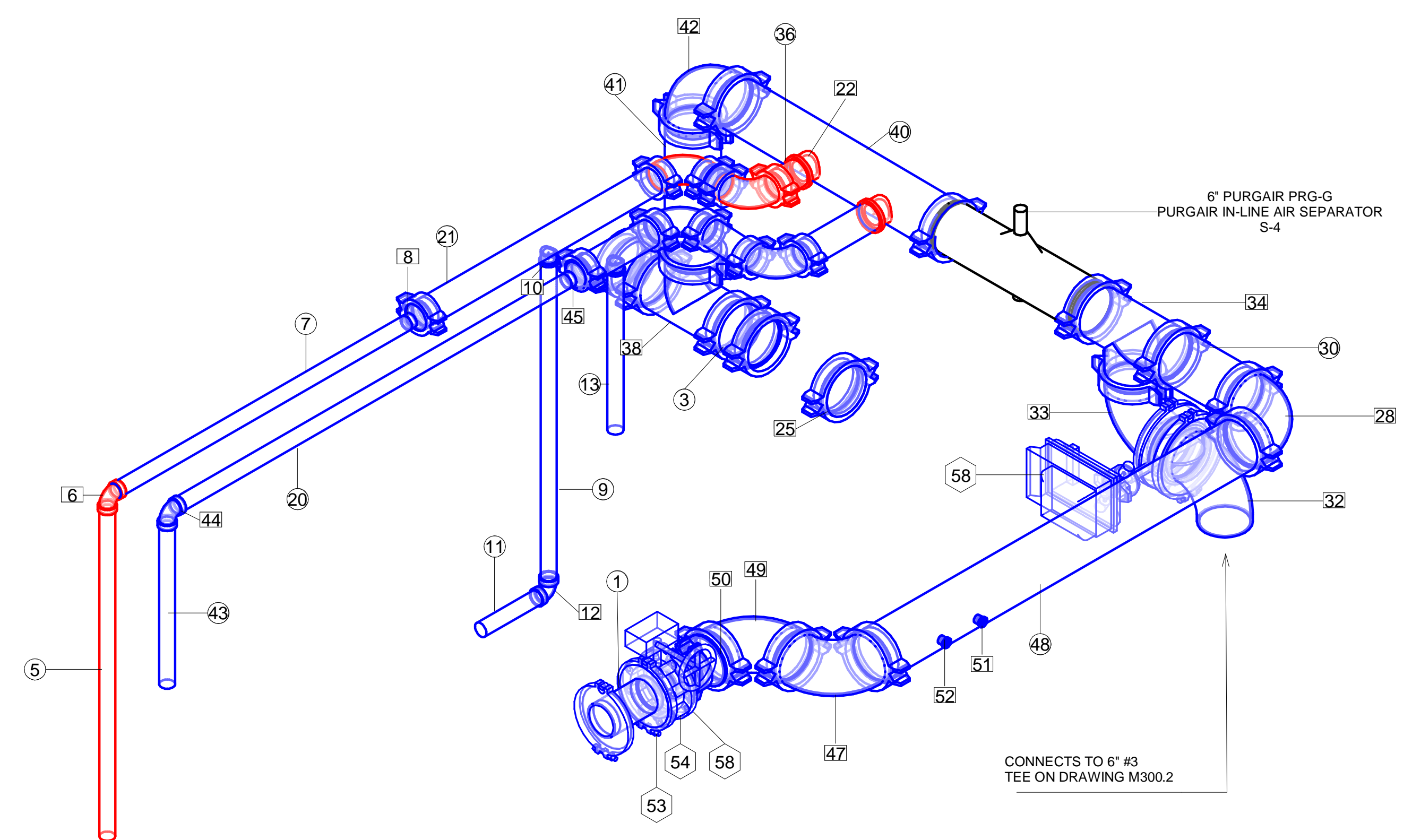
S-3 FABRICATION SHEET	
Project Number	4938
Date	9/10/19
Drawn By	T.H.
Checked By	J.H.
M300.2	
Scale	1" = 1'-0"

S-4 Pipe Fitting Schedule				
Piece Number	Size	Family and Type	Comments	
0	6"ø-6"ø	Victaulic DI PNT Style 177 Quick-Vic Flex Coupling Grade EHP GRVxGRV: Victaulic DI	S-4	
0	6"ø-6"ø	Victaulic DI PNT Style 177 Quick-Vic Flex Coupling Grade EHP GRVxGRV: Victaulic DI	S-4	
0	3"ø-3"ø	Victaulic DI PNT Style 177 Quick-Vic Flex Coupling Grade EHP GRVxGRV: Victaulic DI	S-4	
0	3"ø-3"ø	Victaulic DI PNT Style 177 Quick-Vic Flex Coupling Grade EHP GRVxGRV: Victaulic DI	S-4	
0	3"ø-3"ø	Victaulic DI PNT Style 177 Quick-Vic Flex Coupling Grade EHP GRVxGRV: Victaulic DI	S-4	
6	1 1/2"ø-1 1/2"ø	Anvil CI Sch STD 351 90 Elbow Blk FPT x FPT: Anvil CI	S-4	
8	3"ø-1 1/2"ø	Victaulic DI IPS Painted NO 50 Concentric Reducer Grv x Grv: Victaulic DI	S-4	
0	3"ø-3"ø	Victaulic DI PNT Style 177 Quick-Vic Flex Coupling Grade EHP GRVxGRV: Victaulic DI	S-4	
10	1 1/2"ø-1/8"ø	Anvil FS Class 3000 Thread-O-Let FPT: Anvil FS	S-4	
12	1 1/2"ø-1 1/2"ø	Anvil CI Sch STD 351 90 Elbow Blk FPT x FPT: Anvil CI	S-4	
14	1 1/2"ø-1/8"ø	Anvil FS Class 3000 Thread-O-Let FPT: Anvil FS	S-4	
0	3"ø-3"ø	Victaulic DI PNT Style 177 Quick-Vic Flex Coupling Grade EHP GRVxGRV: Victaulic DI	S-4	
22	6"ø-3"ø	Anvil FS Class 3000 Thread-O-Let FPT: Anvil FS	S-4	
25	6"ø	Victaulic DI IPS Painted NO 60 Cap Grv: Victaulic DI	S-4	
27	6"ø-3"ø	Anvil FS Class 3000 Thread-O-Let FPT: Anvil FS	S-4	
28	6"ø-6"ø	Victaulic DI IPS Painted NO 10 90 Elbow Grv x Grv: Victaulic DI	S-4	
0	6"ø-6"ø	Victaulic DI PNT Style 177 Quick-Vic Flex Coupling Grade EHP GRVxGRV: Victaulic DI	S-4	
0	6"ø-6"ø	Victaulic DI PNT Style 177 Quick-Vic Flex Coupling Grade EHP GRVxGRV: Victaulic DI	S-4	
29	6"ø-5"ø	Victaulic DI IPS Painted NO 10 90 Elbow Grv x Grv: Victaulic DI	S-4	
32	6"ø-6"ø	Victaulic DI IPS Painted NO 10 90 Elbow Grv x Grv: Victaulic DI	S-4	
33	6"ø-6"ø	Victaulic DI IPS Painted NO 10 90 Elbow Grv x Grv: Victaulic DI	S-4	
0	6"ø-6"ø	Victaulic DI PNT Style 177 Quick-Vic Flex Coupling Grade EHP GRVxGRV: Victaulic DI	S-4	
34	6"ø-6"ø-6"ø	Victaulic DI IPS Painted NO 20 Tee Grv x Grv x Grv: Victaulic DI	S-4	
0	6"ø-6"ø	Victaulic DI PNT Style 177 Quick-Vic Flex Coupling Grade EHP GRVxGRV: Victaulic DI	S-4	
0	6"ø-6"ø	Victaulic DI PNT Style 177 Quick-Vic Flex Coupling Grade EHP GRVxGRV: Victaulic DI	S-4	
0	3"ø-3"ø	Victaulic DI PNT Style 177 Quick-Vic Flex Coupling Grade EHP GRVxGRV: Victaulic DI	S-4	
0	3"ø-3"ø	Victaulic DI PNT Style 177 Quick-Vic Flex Coupling Grade EHP GRVxGRV: Victaulic DI	S-4	
0	3"ø-3"ø	Victaulic DI PNT Style 177 Quick-Vic Flex Coupling Grade EHP GRVxGRV: Victaulic DI	S-4	
0	3"ø-3"ø	Victaulic DI PNT Style 177 Quick-Vic Flex Coupling Grade EHP GRVxGRV: Victaulic DI	S-4	
0	3"ø-3"ø	Victaulic DI PNT Style 177 Quick-Vic Flex Coupling Grade EHP GRVxGRV: Victaulic DI	S-4	
0	3"ø-3"ø	Victaulic DI PNT Style 177 Quick-Vic Flex Coupling Grade EHP GRVxGRV: Victaulic DI	S-4	
0	6"ø-6"ø	Victaulic DI PNT Style 177 Quick-Vic Flex Coupling Grade EHP GRVxGRV: Victaulic DI	S-4	
38	6"ø-6"ø-6"ø	Victaulic DI IPS Painted NO 20 Tee Grv x Grv x Grv: Victaulic DI	S-4	
0	6"ø-6"ø	Victaulic DI PNT Style 177 Quick-Vic Flex Coupling Grade EHP GRVxGRV: Victaulic DI	S-4	
0	6"ø-6"ø	Victaulic DI PNT Style 177 Quick-Vic Flex Coupling Grade EHP GRVxGRV: Victaulic DI	S-4	
42	6"ø-6"ø	Victaulic DI IPS Painted NO 10 90 Elbow Grv x Grv: Victaulic DI	S-4	
0	6"ø-6"ø	Victaulic DI PNT Style 177 Quick-Vic Flex Coupling Grade EHP GRVxGRV: Victaulic DI	S-4	
0	6"ø-6"ø	Victaulic DI PNT Style 177 Quick-Vic Flex Coupling Grade EHP GRVxGRV: Victaulic DI	S-4	
0	6"ø-6"ø	Victaulic DI PNT Style 177 Quick-Vic Flex Coupling Grade EHP GRVxGRV: Victaulic DI	S-4	
44	1 1/2"ø-1 1/2"ø	Anvil CI Sch STD 351 90 Elbow Blk FPT x FPT: Anvil CI	S-4	
45	3"ø-1 1/2"ø	Victaulic DI IPS Painted NO 50 Concentric Reducer Grv x Grv: Victaulic DI	S-4	
0	6"ø-6"ø	Victaulic DI PNT Style 177 Quick-Vic Flex Coupling Grade EHP GRVxGRV: Victaulic DI	S-4	
47	6"ø-6"ø	Victaulic DI IPS Painted NO 10 90 Elbow Grv x Grv: Victaulic DI	S-4	
0	6"ø-6"ø	Victaulic DI PNT Style 177 Quick-Vic Flex Coupling Grade EHP GRVxGRV: Victaulic DI	S-4	
0	6"ø-6"ø	Victaulic DI PNT Style 177 Quick-Vic Flex Coupling Grade EHP GRVxGRV: Victaulic DI	S-4	
0	6"ø-6"ø	Victaulic DI PNT Style 177 Quick-Vic Flex Coupling Grade EHP GRVxGRV: Victaulic DI	S-4	
49	6"ø-6"ø	Victaulic DI IPS Painted NO 10 90 Elbow Grv x Grv: Victaulic DI	S-4	
0	6"ø-6"ø	Victaulic DI PNT Style 177 Quick-Vic Flex Coupling Grade EHP GRVxGRV: Victaulic DI	S-4	
50	6"ø-4"ø	Victaulic DI IPS Painted NO 50 Concentric Reducer Grv x Grv: Victaulic DI	S-4	
51	6"ø-3/4"ø	Anvil FS Class 3000 Thread-O-Let FPT: Anvil FS	S-4	
52	6"ø-3/4"ø	Anvil FS Class 3000 Thread-O-Let FPT: Anvil FS	S-4	
19	3"ø-3"ø	Victaulic DI IPS Painted NO 10 90 Elbow Grv x Grv: Victaulic DI	S-4	
18	3"ø-3"ø	Victaulic DI IPS Painted NO 10 90 Elbow Grv x Grv: Victaulic DI	S-4	
24	3"ø-3"ø	Victaulic DI IPS Painted NO 10 90 Elbow Grv x Grv: Victaulic DI	S-4	
23	3"ø-3"ø	Victaulic DI IPS Painted NO 10 90 Elbow Grv x Grv: Victaulic DI	S-4	
0	6"ø-6"ø	Victaulic DI PNT Style 177 Quick-Vic Flex Coupling Grade EHP GRVxGRV: Victaulic DI	S-4	
25	6"ø	Victaulic DI IPS Painted NO 60 Cap Grv: Victaulic DI	S-4	
26	6"ø-6"ø-4"ø	Victaulic DI IPS Painted NO 25 Reducing Tee Grv x Grv x Grv: Victaulic DI	S-4	
0	4"ø-4"ø	Victaulic DI PNT Style 177 Quick-Vic Flex Coupling Grade EHP GRVxGRV: Victaulic DI	S-4	

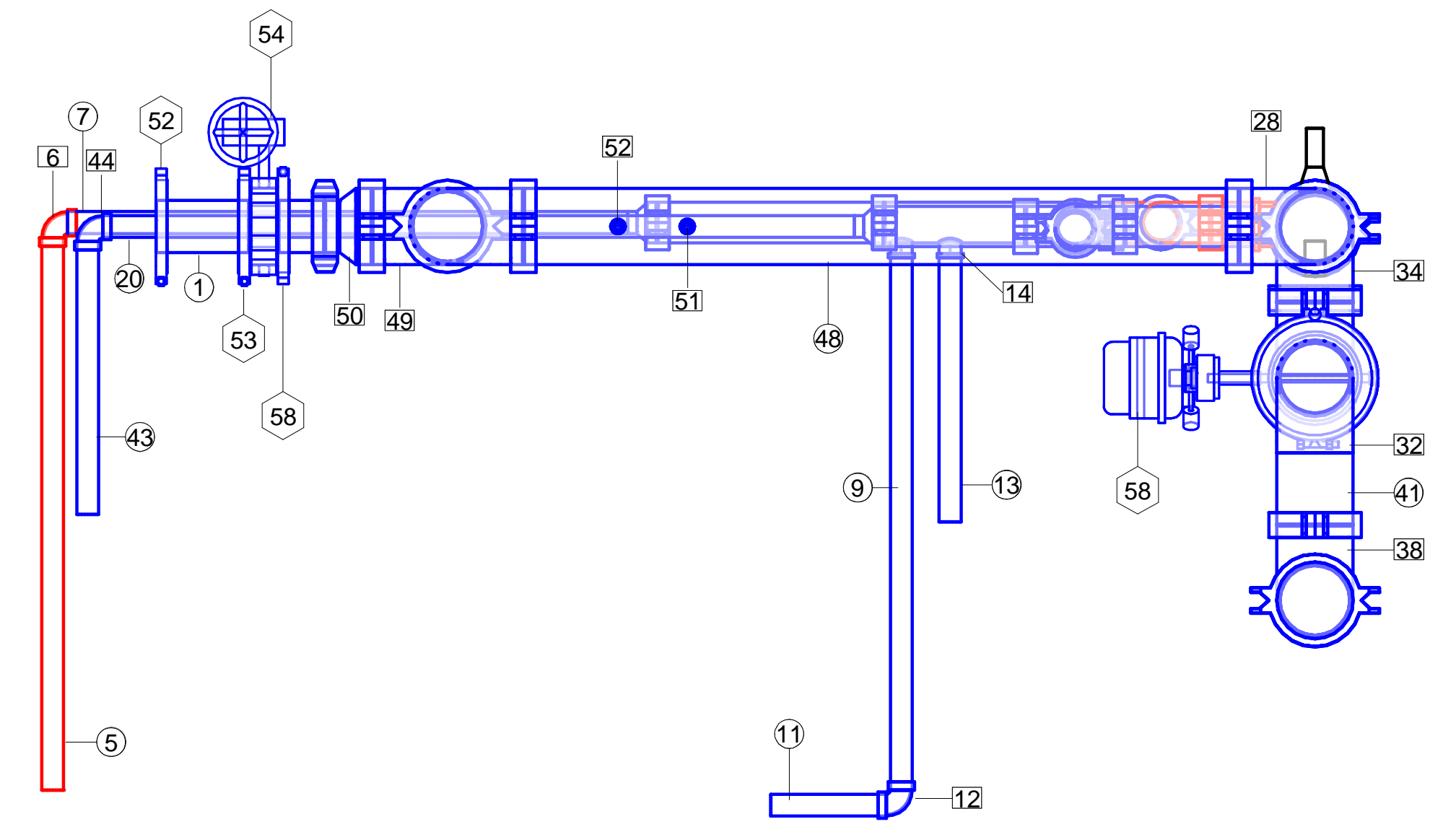
S-4 Pipe Schedule				
Piece Number	Diameter	Family and Type	Length	Comments
1	4"	Pipe Types: DI GRV Victaulic (CU Press Viega x DI GRV Victaulic)-3	0' - 8"	S-4
3	6"	Pipe Types: DI GRV Victaulic (CU Press Viega x DI GRV Victaulic)-2	0' - 4 11/16"	S-4
4	3"	Pipe Types: DI GRV Victaulic (CU Press Viega x DI GRV Victaulic)-2	0' - 2 1/8"	S-4
5	1 1/2"	Pipe Types: HWS GRV & PP	3' - 11 13/16"	S-4
7	1 1/2"	Pipe Types: HWS GRV & PP	4' - 0 7/16"	S-4
9	1 1/2"	Pipe Types: HWS GRV & PP	3' - 10 1/2"	S-4
11	1 1/2"	Pipe Types: HWS GRV & PP	0' - 10"	S-4
13	1 1/2"	Pipe Types: HWS GRV & PP	1' - 11 1/4"	S-4
15	3"	Pipe Types: DI GRV Victaulic (CU Press Viega x DI GRV Victaulic)-3	1' - 0 1/4"	S-4
16	3"	Pipe Types: DI GRV Victaulic (CU Press Viega x DI GRV Victaulic)-3	0' - 11 1/16"	S-4
17	3"	Pipe Types: DI GRV Victaulic (CU Press Viega x DI GRV Victaulic)-3	0' - 7 3/16"	S-4
20	1 1/2"	Pipe Types: HWS GRV & PP-1	5' - 5 1/16"	S-4
21	3"	Pipe Types: DI GRV Victaulic (CU Press Viega x DI GRV Victaulic)-2	3' - 3 3/16"	S-4
30	6"	Pipe Types: DI GRV Victaulic (CU Press Viega x DI GRV Victaulic)-2	0' - 11 7/8"	S-4
36	3"	Pipe Types: DI GRV Victaulic (CU Press Viega x DI GRV Victaulic)-2	0' - 3 5/8"	S-4
39	6"	Pipe Types: DI GRV Victaulic (CU Press Viega x DI GRV Victaulic)-2	0' - 4 11/16"	S-4
40	6"	Pipe Types: DI GRV Victaulic (CU Press Viega x DI GRV Victaulic)-3	2' - 11 13/16"	S-4
41	6"	Pipe Types: DI GRV Victaulic (CU Press Viega x DI GRV Victaulic)-2	1' - 7 1/2"	S-4
43	1 1/2"	Pipe Types: HWS GRV & PP-1	1' - 11 5/8"	S-4
48	6"	Pipe Types: DI GRV Victaulic (CU Press Viega x DI GRV Victaulic)-2	5' - 1 13/16"	S-4
59	4"	Pipe Types: DI GRV Victaulic (CU Press Viega x DI GRV Victaulic)-3	0' - 3 15/16"	S-4

S-4 Mechanical Equipment Schedule			
Item Number	Family and Type	Comments	
PA-1	PURGAIR IN-LINE AIR SEPARATOR: PURGAIR IN-LINE AIR SEPARATOR	S-4	

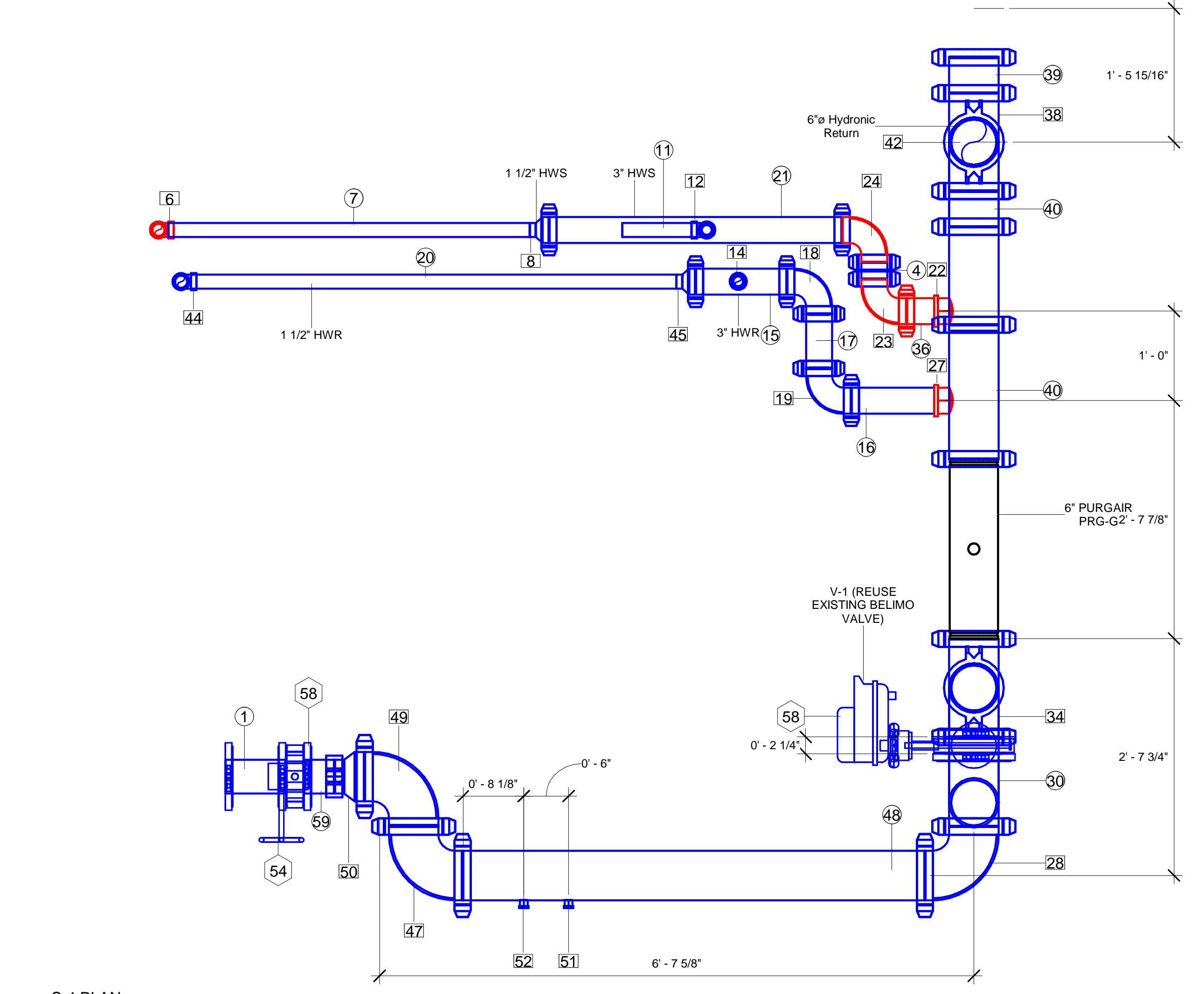
S-4 Pipe Accessory Schedule				
Piece Number	Size	Family and Type	Description	Comments
52	4"ø-4"ø	Victaulic DI Class 150 Pnt Style 741 Flange Adapter Gr-E GEXFLG: Victaulic DI	NO 741 150# Flg Adpt E_Gskt	S-4
53	4"ø-4"ø	Victaulic DI Class 150 Pnt Style 741 Flange Adapter Gr-E GEXFLG: Victaulic DI	NO 741 150# Flg Adpt E_Gskt	S-4
54	4"ø-4"ø	Milwaukee CI Class 200 ML324B Series 2-12 Butterfly Valve FlgdxFlgdx: Milwaukee CI Class 200	ML324B Series SS Disc	S-4
58	6"ø-6"ø	Valve-2_Way_Butterfly-Belimo-F6_HD_L: F6150HD+PKRXUP-MFT-T	2 Way Butterfly Valve	S-4
56	6"ø-6"ø	Victaulic DI Class 150 Pnt Style 741 Flange Adapter Gr-E GEXFLG: Victaulic DI	NO 741 150# Flg Adpt E_Gskt	S-4
57	6"ø-6"ø	Victaulic DI Class 150 Pnt Style 741 Flange Adapter Gr-E GEXFLG: Victaulic DI	NO 741 150# Flg Adpt E_Gskt	S-4
58	4"ø-4"ø	Victaulic DI Class 150 Pnt Style 741 Flange Adapter Gr-E GEXFLG: Victaulic DI	NO 741 150# Flg Adpt E_Gskt	S-4



② S-4 SPOOL ISO



① S-4 SECTION



④ S-4 PLAN
1" = 1'-0"

No.	Description	Date

20 HORSENECK LANE LLC

 20 HORSENECK LANE HX PROJECT

 20 HORSENECK LANE
 GREENWICH, CT

S-4 FABRICATION SHEET	
Project Number	4938
Date	9/10/19
Drawn By	T.H.
Checked By	J.H.
M300.3	
Scale	1" = 1'-0"