

1 FIRST FLOOR MECHANICAL
 1/4" = 1'-0"

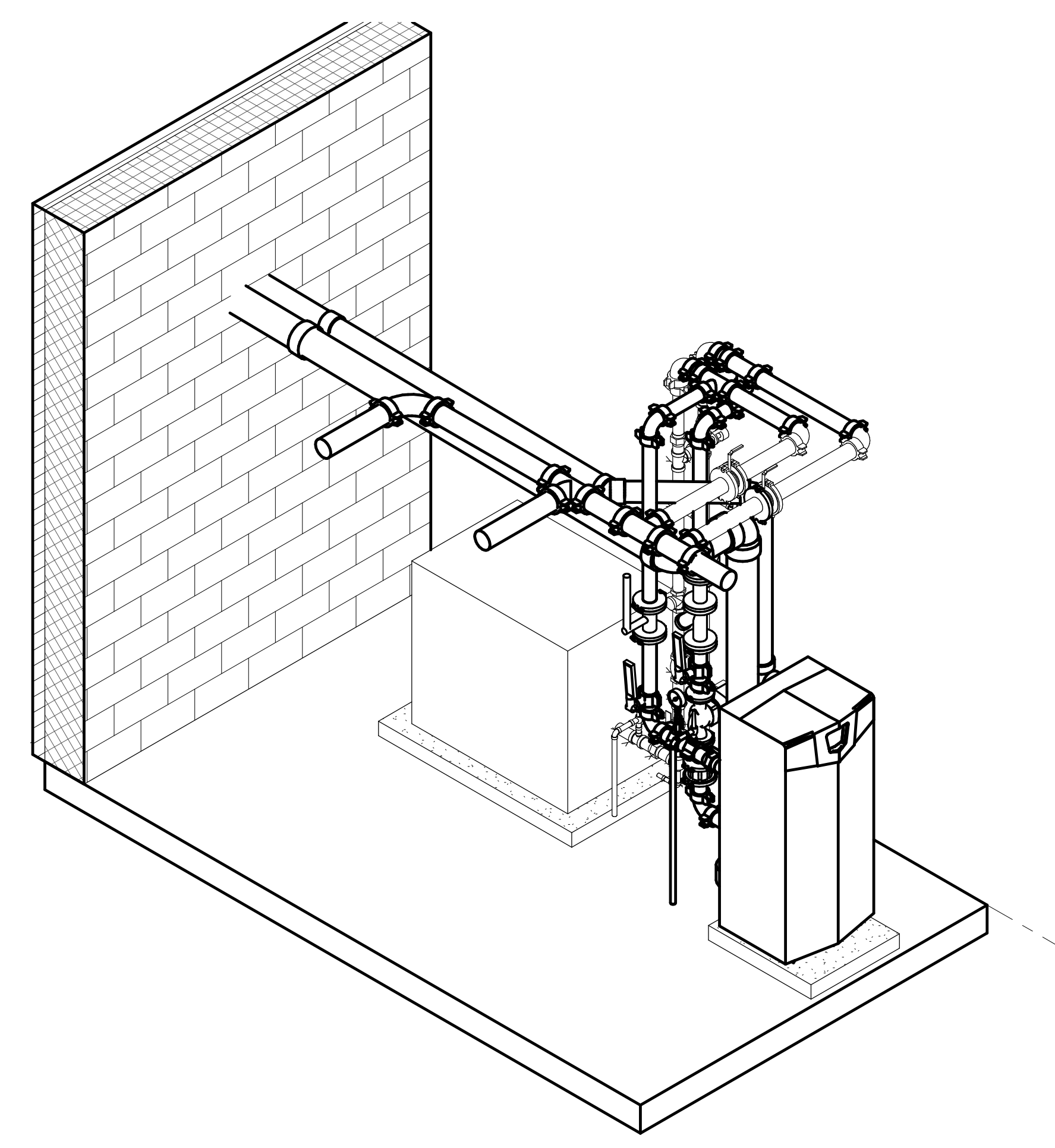


Figure 4-5B PVC/CPVC Sidewall Termination Assembly

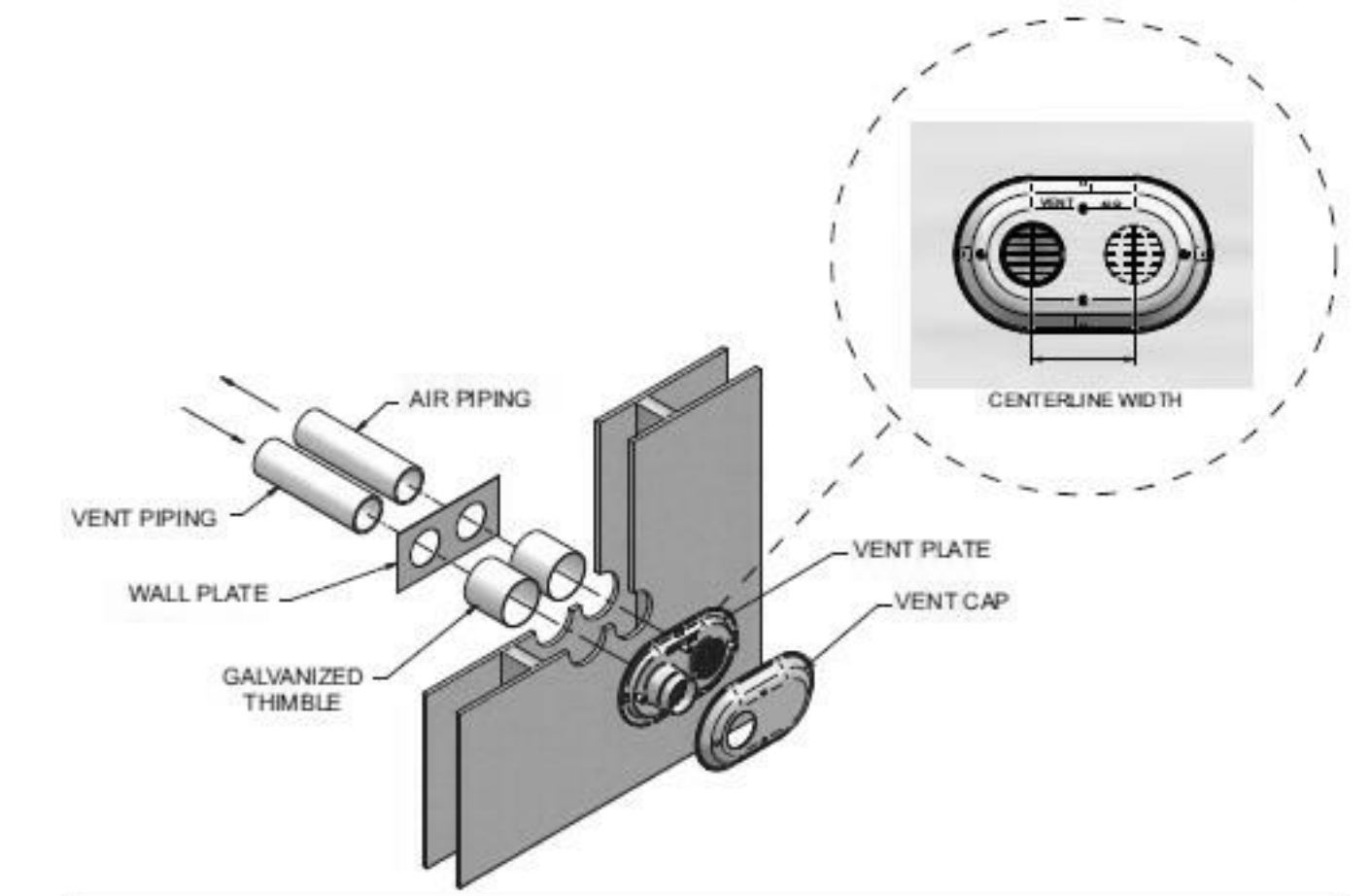
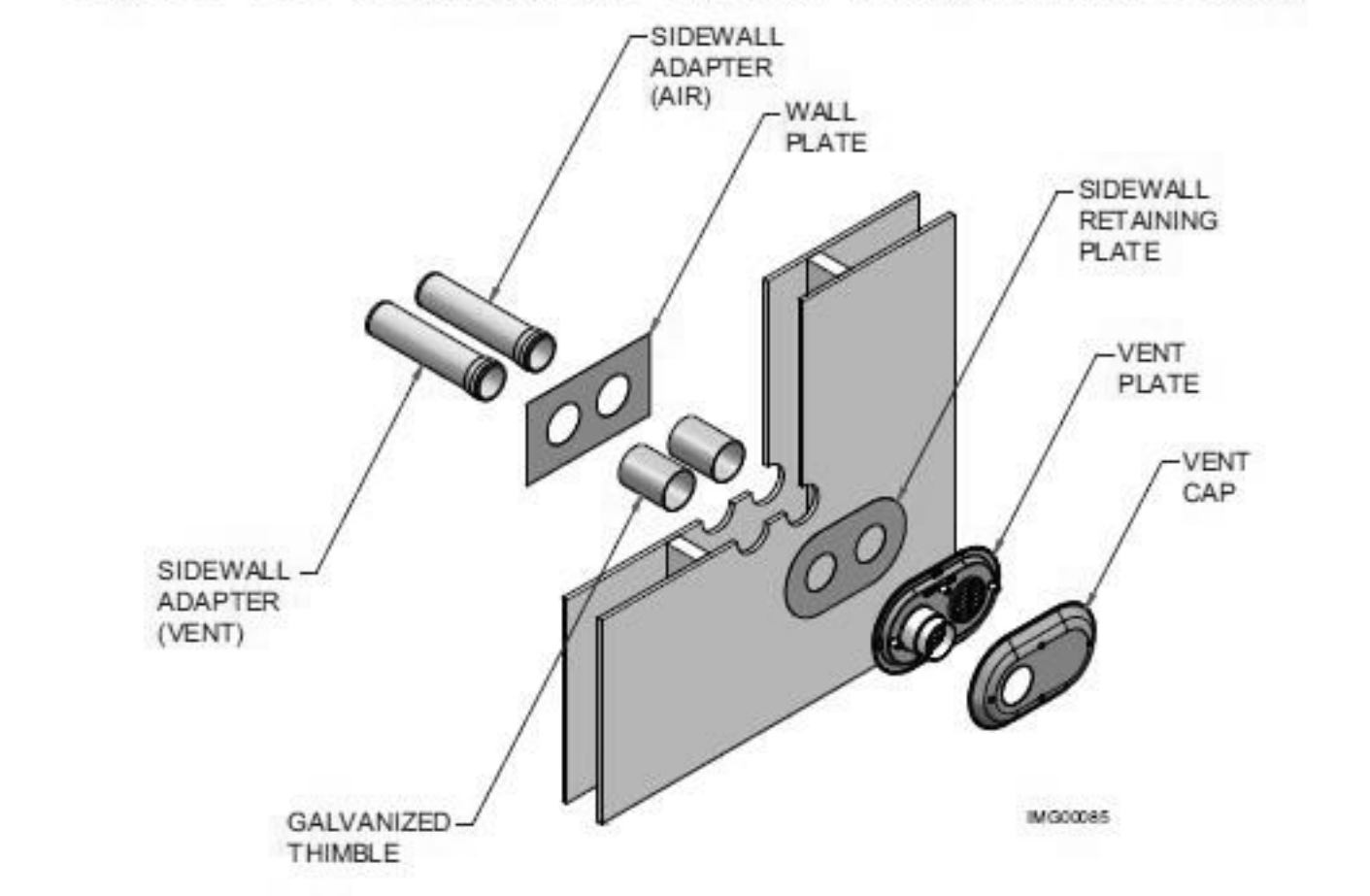


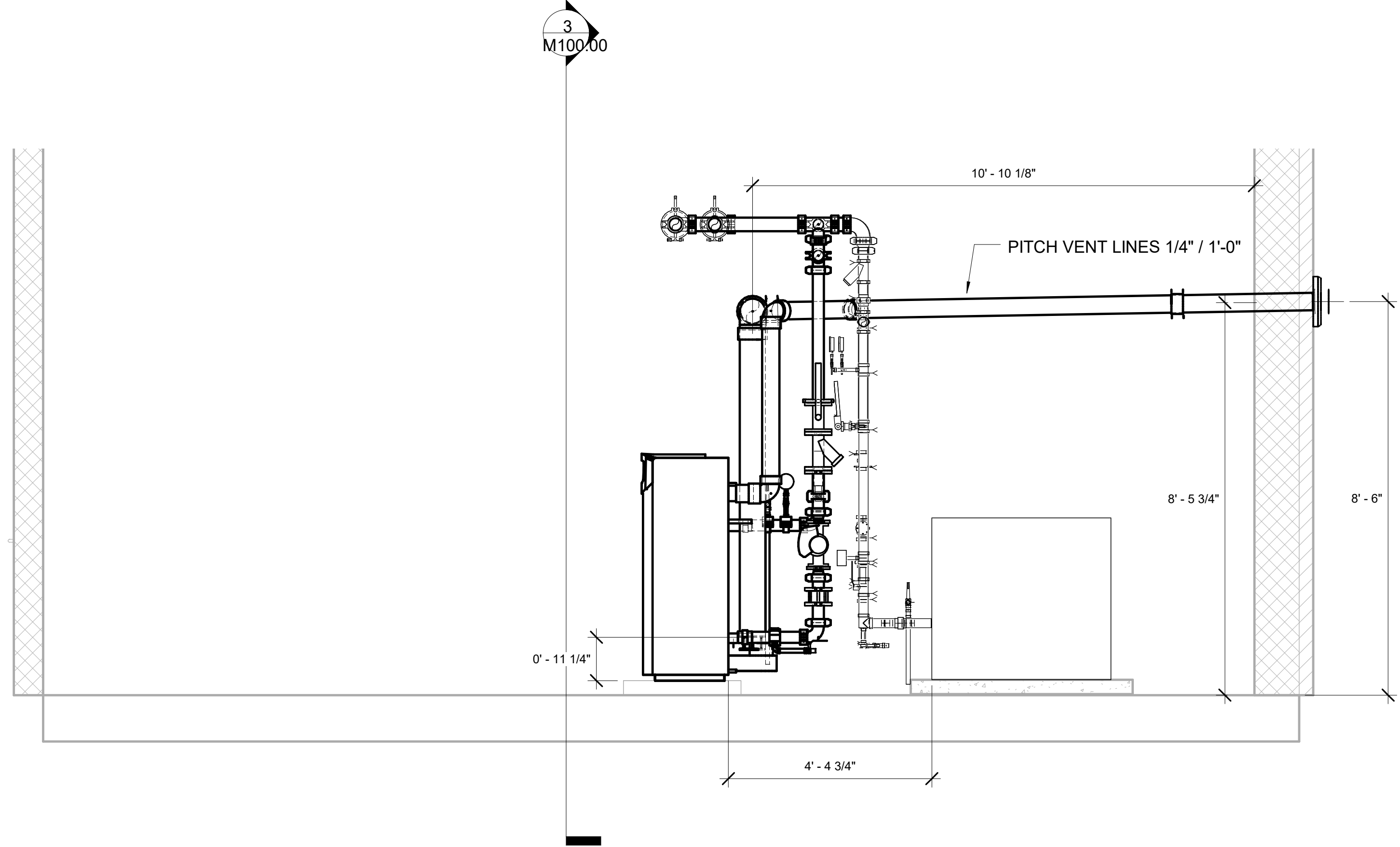
Table 4B Sidewall Vent Centerline Dimensions

Model	Air	Vent	Centerline Width
400 - 600	4" (102 mm)	4" (102 mm)	5 5/8" (143 mm)
725 - 850	4" (102 mm)	6" (152 mm)	7 3/4" (197 mm)

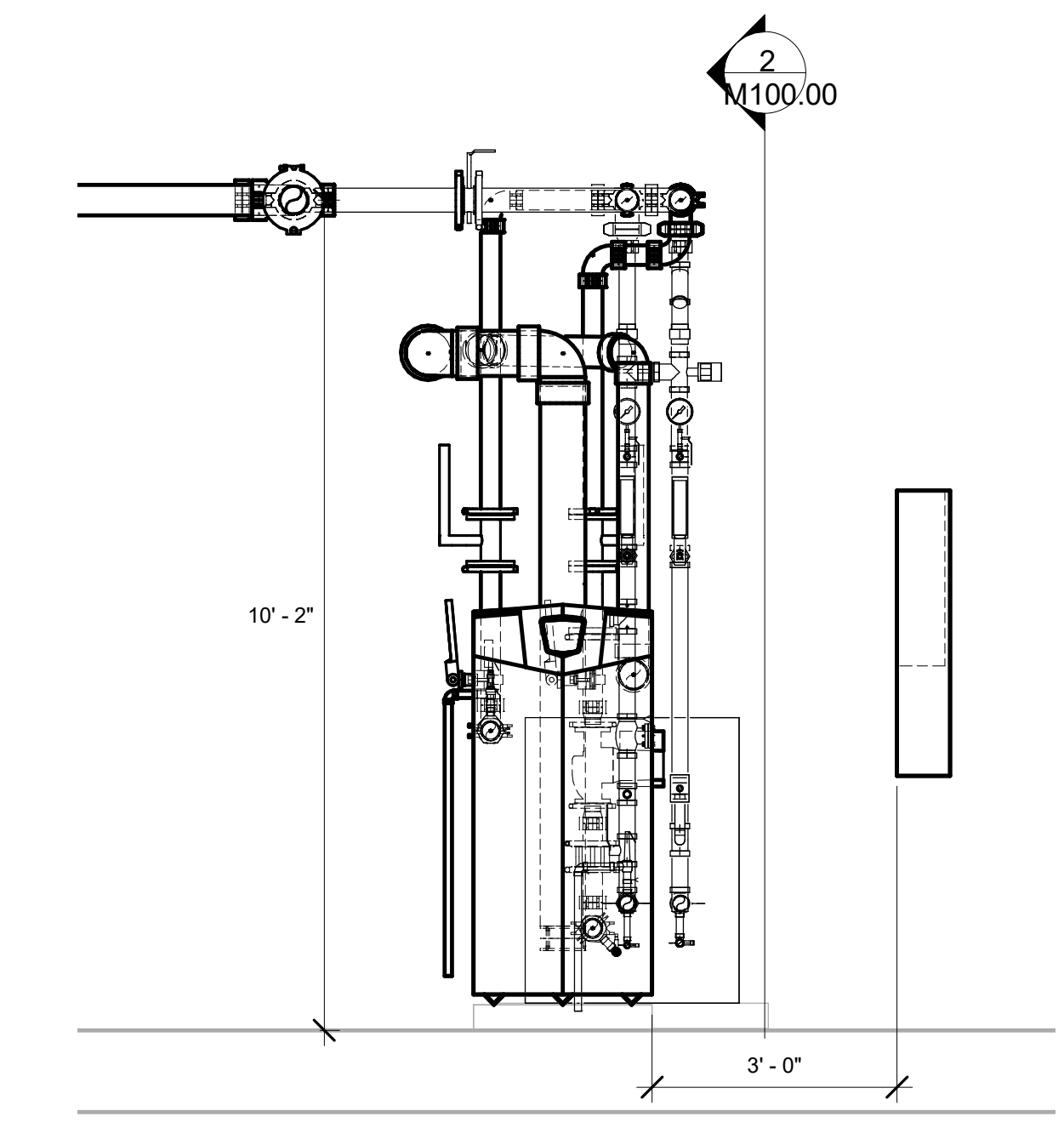
Figure 4-5C Polypropylene Sidewall Termination Assembly



4 {3D}



2 Section 1
 1/2" = 1'-0"



3 Section 2
 1/2" = 1'-0"

No.	Description	Date
1	PRELIMINARY PLAN	11/5/2022

CHARTER OAK
 POST HOUSE BOILER ADDITION

40 CLINTON AVE
 STAMFORD, CT

BOILER PLAN

Project Number	10279
Date	11/4/2022
Drawn By	TH
Checked By	TH

M100.00

Scale As indicated